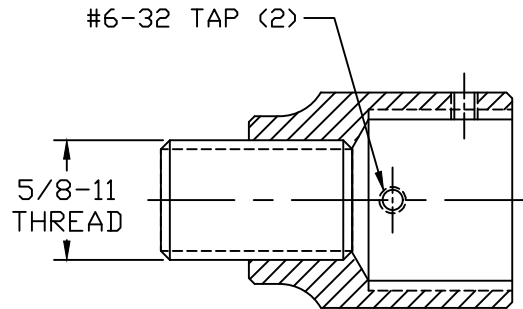
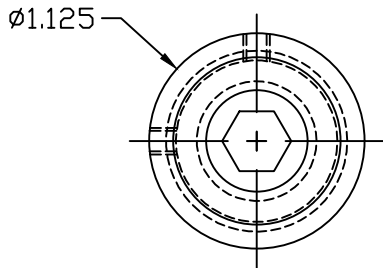
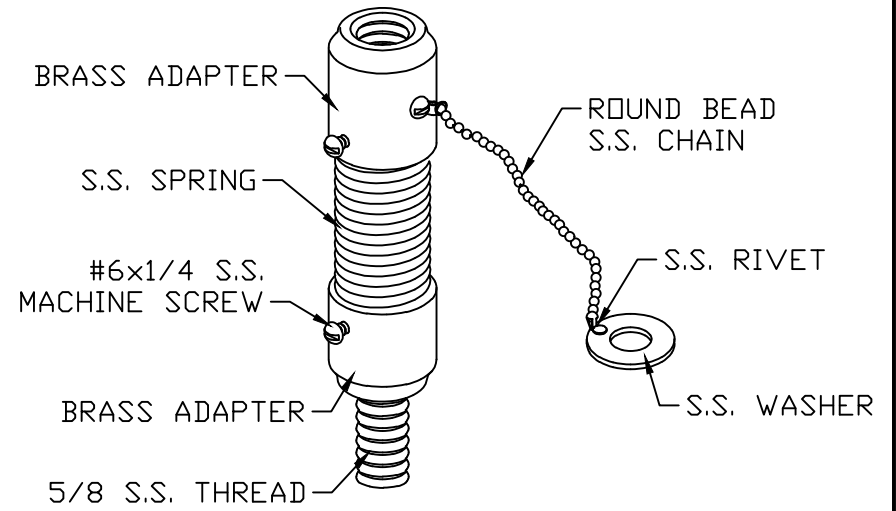


TOP



BOTTOM



5/8x5/8 COPPER FLEX ADAPTER

EST WT 0.65#

APPROVED

AS DRAWN: _____
 AS NOTED: _____
 DATE: _____

THIS DOCUMENT AND THE CONTENTS THEREOF IS THE PROPERTY OF HARGER INC., AND IS FURNISHED TO YOU FOR INFORMATION ONLY. THE INFORMATION CONTAINED HEREIN IS CONFIDENTIAL AND OF A PROPRIETARY NATURE AND MUST NOT BE DISCLOSED TO THIRD PARTIES WITHOUT THE EXPRESS WRITTEN APPROVAL OF HARGER INC.

| | | | |
|--------------------------|-----------|----------------------|-----|
| | | | |
| | | | |
| | | | |
| A | WAS R242S | 051622 | LAL |
| LET | REVISION | DATE | BY |
| TOLERANCES UNLESS NOTED: | | 3RD ANGLE PROJECTION | |
| FRACTIONAL | +/- 1/16 | | |
| .00 | +/- .03 | | |
| .000 | +/- .010 | | |

PART NO. 128M
 FLEXIBLE ADAPTER

DRAWN BY:
 LAL
 CHECKED BY:
 DATE:
 081111



301 ZIEGLER DRIVE
 GRAYSLAKE, IL 60030
 (847) 548-8700

REVISION:
 A
 SCALE:
 FULL
 SHEET:
 1 OF 1