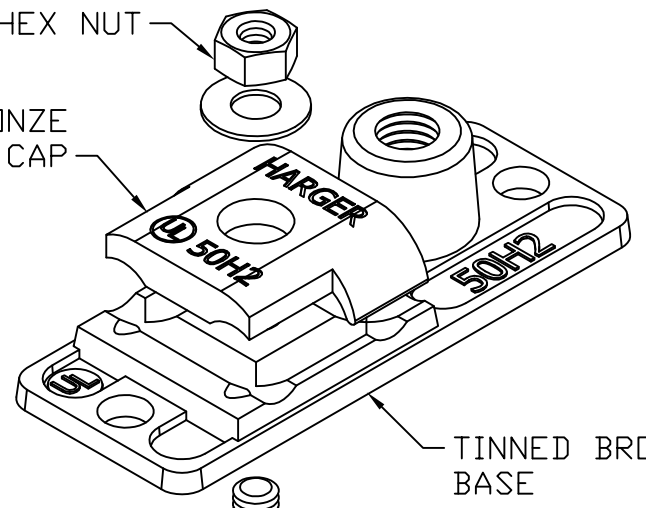


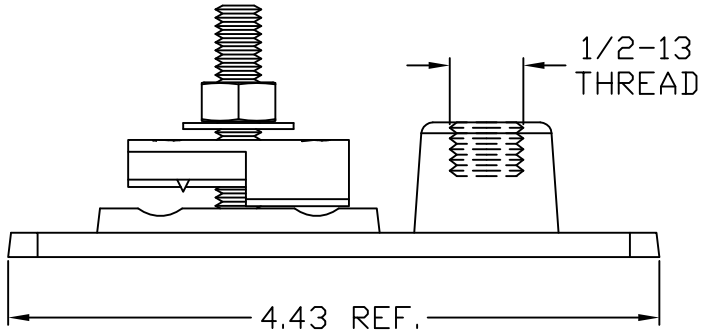
Ø0.328 MIN.
(2) PLS

5/16 S.S.
HEX NUT

TINNED BRONZE
CABLE CAP



TINNED BRONZE
BASE



BRONZE RECTANGULAR HORIZONTAL BASE

EST WT 0.68#

APPROVED

AS DRAWN: _____
 AS NOTED: _____
 DATE: _____

THIS DOCUMENT AND THE CONTENTS THEREOF IS THE PROPERTY OF HARGER INC., AND IS FURNISHED TO YOU FOR INFORMATION ONLY. THE INFORMATION CONTAINED HEREIN IS CONFIDENTIAL AND OF A PROPRIETARY NATURE AND MUST NOT BE DISCLOSED TO THIRD PARTIES WITHOUT THE EXPRESS WRITTEN APPROVAL OF HARGER INC.

B	NEW DESIGN ECO 0056	042914	LAL
A	ADDED PACKAGING	070605	LAL
LET	REVISION	DATE	BY
TOLERANCES UNLESS NOTED:		3RD ANGLE PROJECTION	
FRACTIONAL +/- 1/16			
DECIMAL +/- .030			
BREAK SHARP EDGES			

PART NO. 15112IT
 BRONZE RECTANGULAR HORIZONTAL BASE
 -

DRAWN BY:
EHS
 CHECKED BY:
-
 DATE:
071502

HARGER™
 301 ZIEGLER DRIVE
 GRAYSLAKE, IL 60030
 (847) 548-8700

REVISION:
B
 SCALE:
3/4
 SHEET:
1 OF 1