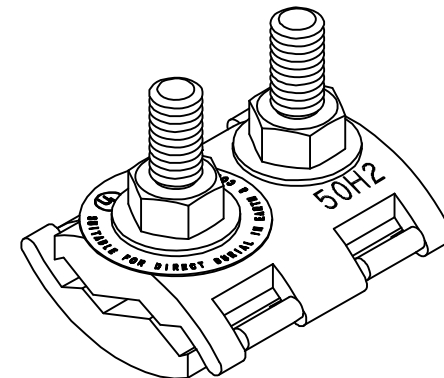
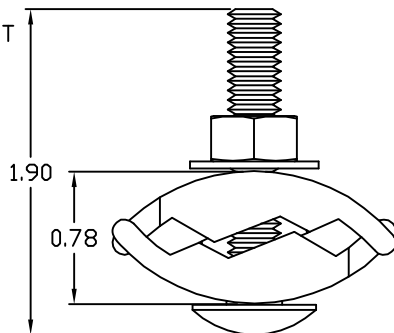
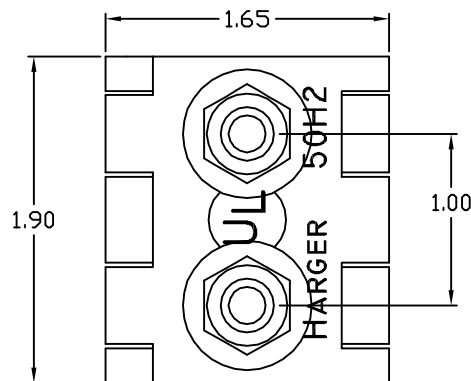


**ASSEMBLY VIEW**



**NOTES:**

1. 2" x 1-3/4" TWO PIECE CONNECTOR USED FOR SPLICING CABLES AND RODS.
2. ACCOMMODATES ALL STANDARD SIZE CLASS I AND CLASS II CONDUCTORS UP TO 9/16" DIAMETER.
3. ACCOMMODATES GROUND CABLE SIZES RANGING FROM #6 AWG THROUGH 4/0.
4. 5/16" X 1-3/4" STAINLESS STEEL CARRIAGE BOLTS, FLAT WASHERS AND NUTS INCLUDED.
5. #204 MANUFACTURED FROM 91-2-7 BRONZE ALLOY.
6. PACKAGE:
  - Ⓐ 10 PCS PER 4X4X4
  - Ⓑ 80 PCS PER 9X9X9



**DIRECT BURIAL LABEL**

**BRONZE 2 BOLT PARALLEL CONNECTOR**

EST. WEIGHT 0.41 LBS



**APPROVED**

AS DRAWN: \_\_\_\_\_

AS NOTED: \_\_\_\_\_

DATE: \_\_\_\_\_

THIS DOCUMENT AND THE CONTENTS THEREOF IS THE PROPERTY OF HARGER INC., AND IS FURNISHED TO YOU FOR INFORMATION ONLY. THE INFORMATION CONTAINED HEREIN IS CONFIDENTIAL AND OF A PROPRIETARY NATURE AND MUST NOT BE DISCLOSED TO THIRD PARTIES WITHOUT THE EXPRESS WRITTEN APPROVAL OF HARGER INC.

B	ADDED DB LABEL	111407	LAL
A	ADD PACKAGE NOTE	081604	EHS
LET	REVISION	DATE	BY
TOLERANCES UNLESS NOTED:		3RD ANGLE PROJECTION	
FRACTIONAL	+/- 1/16		
.00	+/- .030		
.000	+/- .010		

**PART NO. 204**  
BRONZE 2 BOLT PARALLEL CONNECTOR

DRAWN BY: KAB  
CHECKED BY: \_\_\_\_\_  
DATE: 031400



301 ZIEGLER DRIVE  
GRAYSLAKE, IL 60030  
(847) 548-8700

REVISION: B  
SCALE: 7/8  
SHEET: 1 OF 1