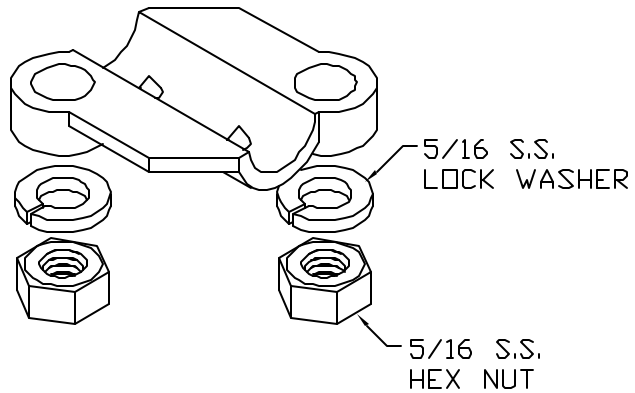


- NOTES:
1. 1-1/2" x 1-1/2" TWO PIECE TINNED CONNECTOR USED FOR SPLICING CABLES AND RODS.
 2. ACCOMMODATES ALL STANDARD SIZE CLASS I AND CLASS II CONDUCTORS UP TO 9/16" DIAMETER.
 3. 5/16 x 1-3/4" STAINLESS STEEL CARRIAGE BOLTS, LOCK WASHERS AND NUTS INCLUDED.
 4. #210 MANUFACTURED FROM HIGH CONDUCTIVITY BRONZE ALLOY
 5. PACKAGE:
10 PCS PER 4X4X4
80 PCS PER 9X9X9



ASSEMBLY VIEW

TINNED BRONZE CROSS
RUN CONNECTOR

EST WT 0.34#

APPROVED

THIS DOCUMENT AND THE CONTENTS THEREOF IS THE PROPERTY OF HARGER INC., AND IS FURNISHED TO YOU FOR INFORMATION ONLY. THE INFORMATION CONTAINED HEREIN IS CONFIDENTIAL AND OF A PROPRIETARY NATURE AND MUST NOT BE DISCLOSED TO THIRD PARTIES WITHOUT THE EXPRESS WRITTEN APPROVAL OF HARGER INC.

AS DRAWN: _____

AS NOTED: _____

DATE: _____

				PART NO. 210T	
				BRONZE CROSS RUN CONNECTOR	
				DRAWN BY:	REVISION:
A		WAS HHCS ECO 0057		KAB	A
LET	REVISION	DATE	BY	CHECKED BY:	SCALE:
				-	7/8
TOLERANCES UNLESS NOTED:			3RD ANGLE PROJECTION		<p>301 ZIEGLER DRIVE GRAYSLAKE, IL 60030 (847) 548-8700</p>
FRACTIONAL +/- 1/16				DATE:	
.00 +/- .030				031508	
.000 +/- .010					SHEET:
					1 OF 1