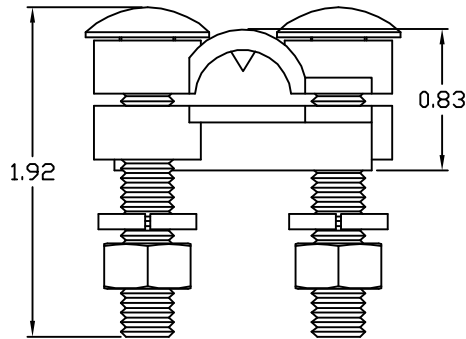
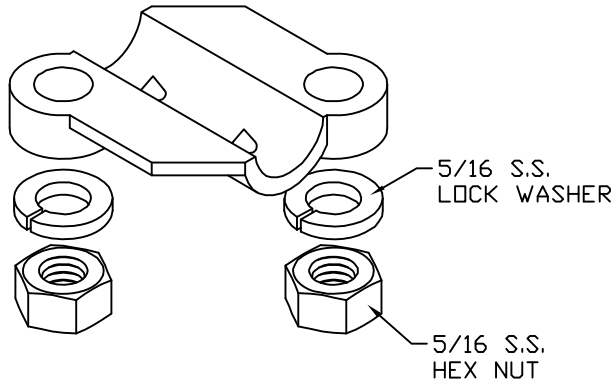


NOTES:

1. 1-1/2" x 1-1/2" TWO PIECE CONNECTOR USED FOR SPLICING CABLES AND RODS.
2. ACCOMMODATES ALL STANDARD SIZE CLASS I AND CLASS II CONDUCTORS UP TO 9/16" DIAMETER.
3. 5/16 x 1-3/4" STAINLESS STEEL CARRIAGE BOLTS, LOCK WASHERS AND NUTS INCLUDED.
4. 210 MANUFACTURED FROM HIGH CONDUCTIVITY BRONZE ALLOY



ASSEMBLY VIEW

EST WT 0.34#

BRONZE CROSS RUN CONNECTOR

APPROVED

AS DRAWN: _____

AS NOTED: _____

DATE: _____

THIS DOCUMENT AND THE CONTENTS THEREOF IS THE PROPERTY OF HARGER INC., AND IS FURNISHED TO YOU FOR INFORMATION ONLY. THE INFORMATION CONTAINED HEREIN IS CONFIDENTIAL AND OF A PROPRIETARY NATURE AND MUST NOT BE DISCLOSED TO THIRD PARTIES WITHOUT THE EXPRESS WRITTEN APPROVAL OF HARGER INC.

D	WAS 700 PSI MEC909	081319	LAL
C	WAS HHCS ECO 0057	072313	LAL
B	ZBOX WAS 1899	091903	WSM
A	ADD PACKAGE NOTE	080502	EHS
LET	REVISION	DATE	BY
TOLERANCES UNLESS NOTED:		3RD ANGLE PROJECTION	
FRACTIONAL	+/- 1/16		
.00	+/- .030		
.000	+/- .010		

PART NO. 210
CROSS RUN CONNECTOR

DRAWN BY:
KAB

CHECKED BY:
-

DATE:
031508



301 ZIEGLER DRIVE
GRAYSLAKE, IL 60030
(847) 548-8700

REVISION:
D

SCALE:
7/8

SHEET:
1 OF 1