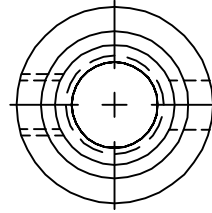
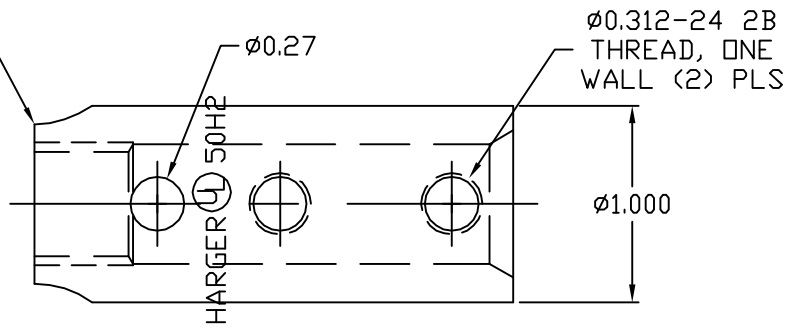
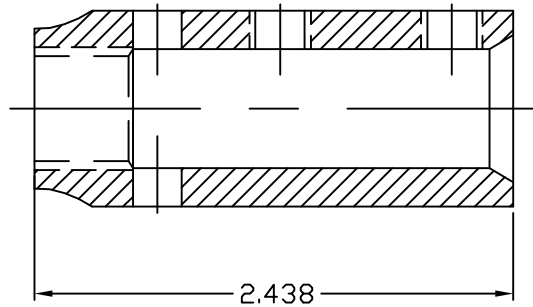
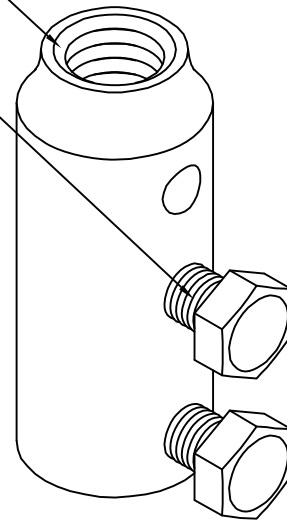


BREAK SHARP CORNER



5/8-11 THREAD  
5 THREADS MIN.

5/16x3/4 S.S.  
HEX SCREWS



EST WT 0.1#

APPROVED

AS DRAWN: \_\_\_\_\_  
 AS NOTED: \_\_\_\_\_  
 DATE: \_\_\_\_\_

THIS DOCUMENT AND THE CONTENTS THEREOF IS THE PROPERTY OF HARGER INC., AND IS FURNISHED TO YOU FOR INFORMATION ONLY. THE INFORMATION CONTAINED HEREIN IS CONFIDENTIAL AND OF A PROPRIETARY NATURE AND MUST NOT BE DISCLOSED TO THIRD PARTIES WITHOUT THE EXPRESS WRITTEN APPROVAL OF HARGER INC.

LET	REVISION	DATE	BY

TOLERANCES UNLESS NOTED:  
 FRACTIONAL +/- 1/16  
 .00 +/- .03  
 .000 +/- .010

PART NO. A158R-5/8

DRAWN BY:  
LAL  
 CHECKED BY:  
 DATE:  
050710

**HARGER™**  
 301 ZIEGLER DRIVE  
 GRAYSLAKE, IL 60030  
 (847) 548-8700

REVISION:  
-  
 SCALE:  
FULL  
 SHEET:  
1 OF 1