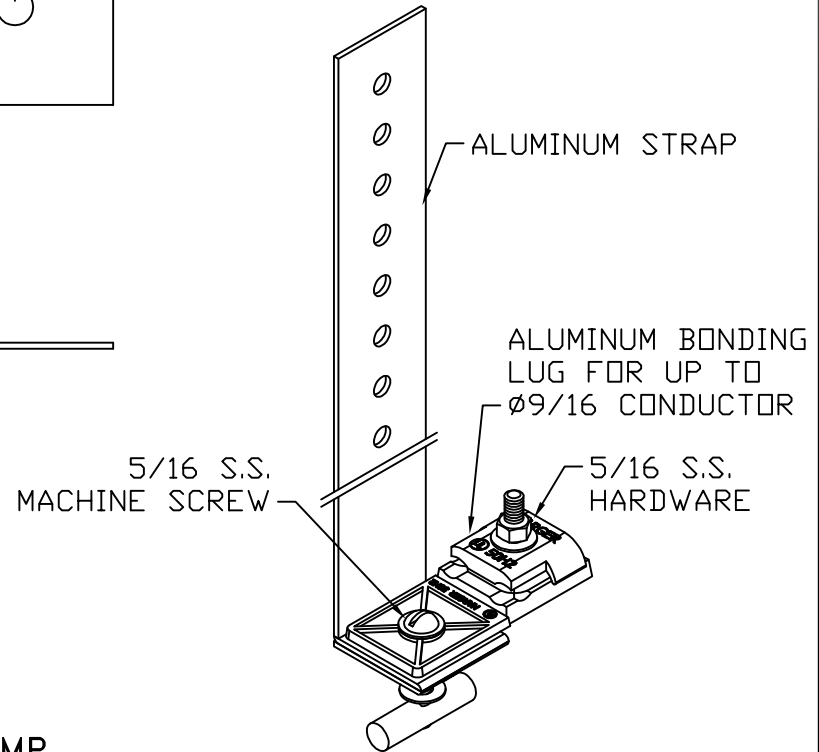
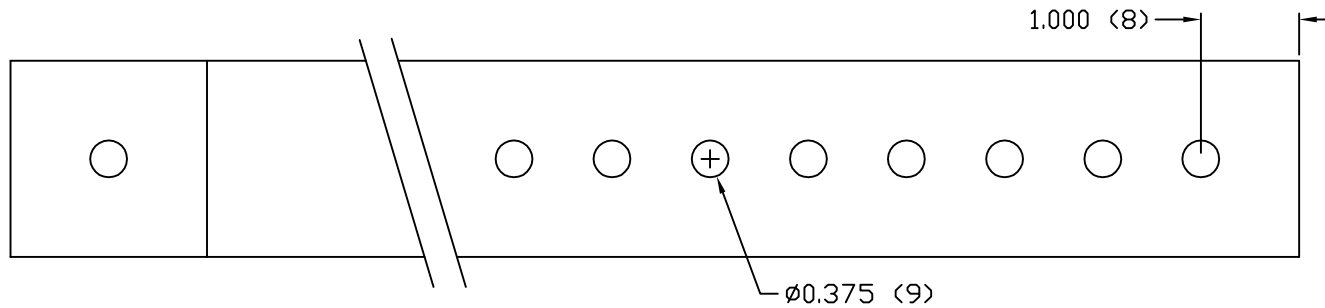


(A)



ALUMINUM STRAP PIPE CLAMP
 10.75 - 12.75 ACTUAL DIAMETER

EST WT 1.3#

APPROVED

AS DRAWN: _____
 AS NOTED: _____
 DATE: _____

THIS DOCUMENT AND THE CONTENTS THEREOF IS THE PROPERTY OF HARGER INC., AND IS FURNISHED TO YOU FOR INFORMATION ONLY. THE INFORMATION CONTAINED HEREIN IS CONFIDENTIAL AND OF A PROPRIETARY NATURE AND MUST NOT BE DISCLOSED TO THIRD PARTIES WITHOUT THE EXPRESS WRITTEN APPROVAL OF HARGER INC.

C	REDESIGN BONDING LUG	050316	LAL
B	HAD A222 IN BOM; BROKE OUT	062308	DVB
A	WAS 43.00"	101600	KAB
LET	REVISION	DATE	BY
TOLERANCES UNLESS NOTED:		3RD ANGLE PROJECTION	
FRACTIONAL +/- 1/16		⊕	
DECIMAL +/- .030			
BREAK SHARP EDGES			

PART NO. A23112
 STRAP PIPE CLAMP

DRAWN BY:
 LAL
 CHECKED BY:
 DATE:
 042299



301 ZIEGLER DRIVE
 GRAYSLAKE, IL 60030
 (847) 548-8700

REVISION:
 C
 SCALE:
 1/2
 SHEET:
 1 OF 1