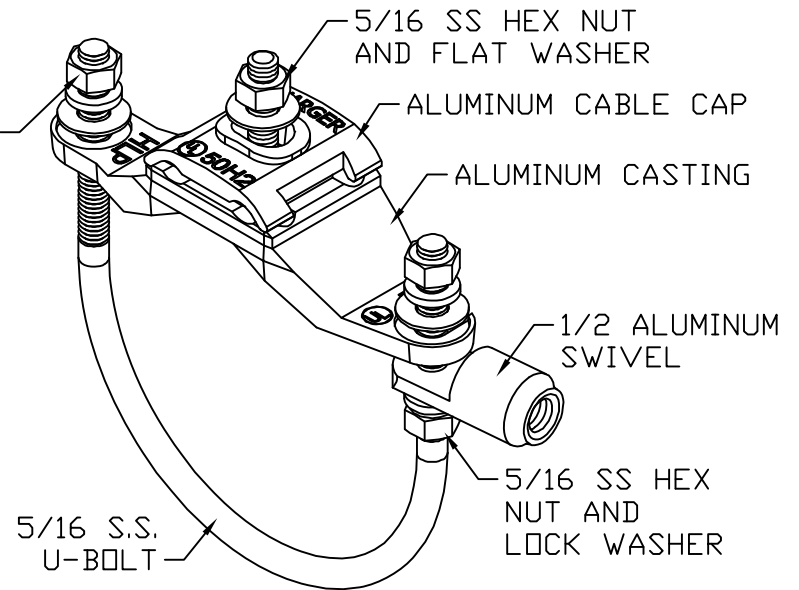


5/16 SS HEX NUT  
LOCK WASHER AND  
FLAT WASHER



**ALUMINUM PIPE RAIL BASE**  
3-1/2 TO 4" NOM. PIPE 1/2 A.T.

EST WT 0.79#

APPROVED

AS DRAWN: \_\_\_\_\_  
 AS NOTED: \_\_\_\_\_  
DATE: \_\_\_\_\_

THIS DOCUMENT AND THE CONTENTS THEREOF IS THE PROPERTY OF HARGER INC., AND IS FURNISHED TO YOU FOR INFORMATION ONLY. THE INFORMATION CONTAINED HEREIN IS CONFIDENTIAL AND OF A PROPRIETARY NATURE AND MUST NOT BE DISCLOSED TO THIRD PARTIES WITHOUT THE EXPRESS WRITTEN APPROVAL OF HARGER INC.

C	ADD PACKAGE NOTE	121103	WSM
B	ADDED ISSUE AUBS12AD	110300	LAL
A	LW5S WAS 2 PCS	051000	KAB
LET	REVISION	DATE	BY
TOLERANCES UNLESS NOTED:		3RD ANGLE PROJECTION	
FRACTIONAL +/- 1/16			
DECIMAL +/- .030			
REMOVE ALL BURRS/FLASH			

PART NO. APRB3.5/4AT12  
PIPE RAIL BASE

DRAWN BY:  
KAB  
CHECKED BY:  
DATE:  
021100



301 ZIEGLER DRIVE  
GRAYSLAKE, IL 60030  
(847) 548-8700

REVISION:  
C  
SCALE:  
NTS  
SHEET:  
1 OF 1