

5/16 S.S. HEX
SCREW WITH (2)
SPRING WASHERS

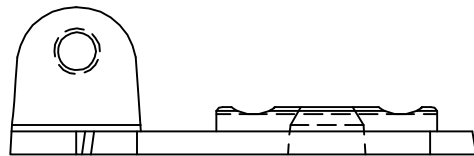
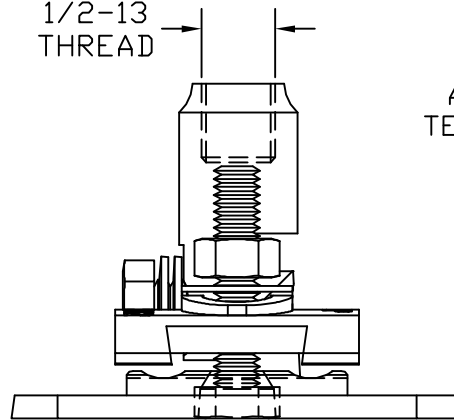
ALUMINUM SWIVEL
ADAPTER

5/16 S.S. HEX
NUT AND FLAT
WASHER

ALUMINUM AIR
TERMINAL BASE

ALUMINUM CABLE CAP

1/2-13
THREAD



1/2 ALUMINUM SWIVEL BASE

EST WT 0.37#

APPROVED

AS DRAWN: _____

AS NOTED: _____

DATE: _____

THIS DOCUMENT AND THE CONTENTS THEREOF IS THE PROPERTY OF HARGER INC., AND IS FURNISHED TO YOU FOR INFORMATION ONLY. THE INFORMATION CONTAINED HEREIN IS CONFIDENTIAL AND OF A PROPRIETARY NATURE AND MUST NOT BE DISCLOSED TO THIRD PARTIES WITHOUT THE EXPRESS WRITTEN APPROVAL OF HARGER INC.

F	ECO 0212 WAS PARALLEL	021120	WBD
E	WAS LW5S ECO 0138	040717	LAL
D	ADDED PKG INFO	120903	WSM
C	UPDATED DWG TO NEW CASTING	052902	WSM
B	ADDED ISSUE AUBS12AD	110300	LAL
A	UPDATED TAP LOCATION	061698	LAL
LET	REVISION	DATE	BY
TOLERANCES UNLESS NOTED:		3RD ANGLE PROJECTION	
FRACTIONAL +/- 1/16			
DECIMAL +/- .030			
BREAK SHARP EDGES			

PART NO. AUBS12
SWIVEL BASE ASSEMBLY

DRAWN BY:
LAL

CHECKED BY:

DATE:
051298



301 ZIEGLER DRIVE
GRAYSLAKE, IL 60030
(847) 548-8700

REVISION:
F

SCALE:
3/4

SHEET:
1 OF 1