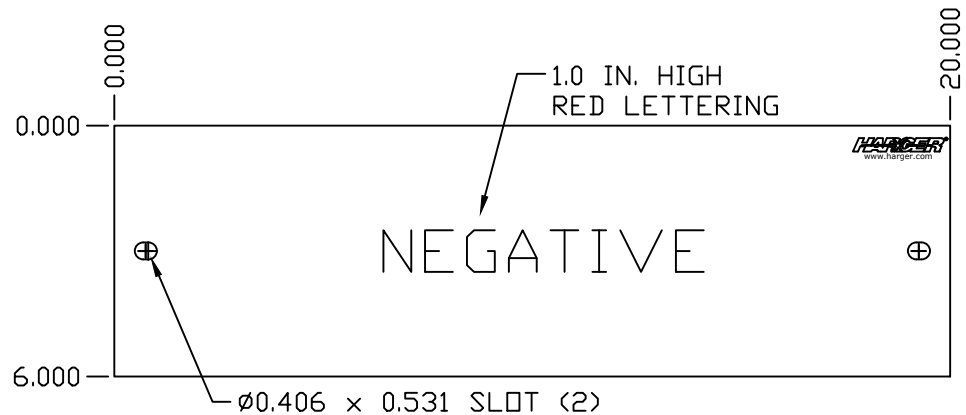
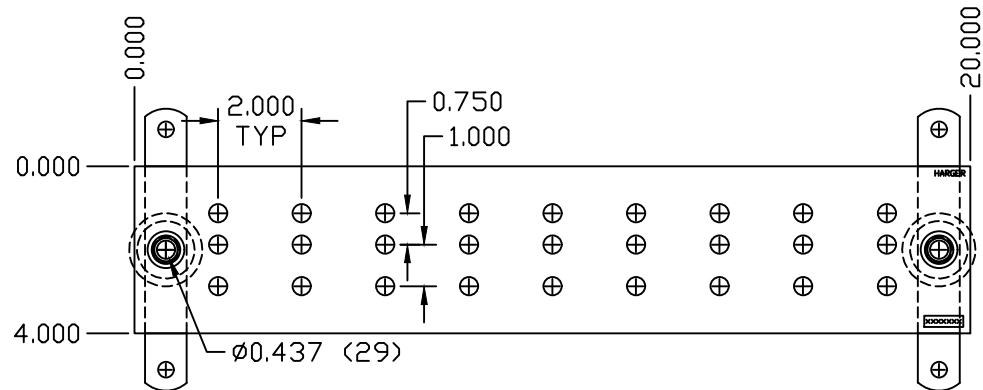
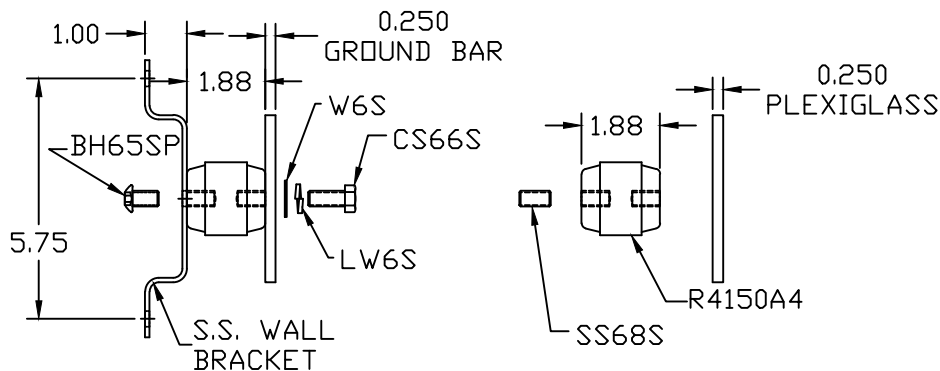


"POSITIVE" CLEAR PLASTIC COVER (1)



"NEGATIVE" CLEAR PLASTIC COVER (1)



COPPER GROUND BAR ASSEMBLY (2)

COPPER GROUND BAR ASSEMBLY SET

EST WT 18.22#

APPROVED

AS DRAWN: _____
 AS NOTED: _____
 DATE: _____

THIS DOCUMENT AND THE CONTENTS THEREOF IS THE PROPERTY OF HARGER INC., AND IS FURNISHED TO YOU FOR INFORMATION ONLY. THE INFORMATION CONTAINED HEREIN IS CONFIDENTIAL AND OF A PROPRIETARY NATURE AND MUST NOT BE DISCLOSED TO THIRD PARTIES WITHOUT THE EXPRESS WRITTEN APPROVAL OF HARGER INC.

C	COVER ECO 0213	021220	LAL
B	MOD. PLEX QUANTITY	020603	WSM
A	ADDED PACKAGE INFO	080502	WSM
LET	REVISION	DATE	BY
TOLERANCES UNLESS NOTED:		3RD ANGLE PROJECTION	
FRACTIONAL +/- 1/16			
DECIMAL +/- .030			
BREAK SHARP EDGES			

PART NO. BATTERYCONNKIT
 GROUND BAR ASSEMBLY W/COVER
 MARTIN & ASSOCIATES

DRAWN BY: KAB
 CHECKED BY:

DATE: 012400



301 ZIEGLER DRIVE
 GRAYSLAKE, IL 60030
 (847) 548-8700

REVISION: C
 SCALE: 7/32
 SHEET: 1 OF 1