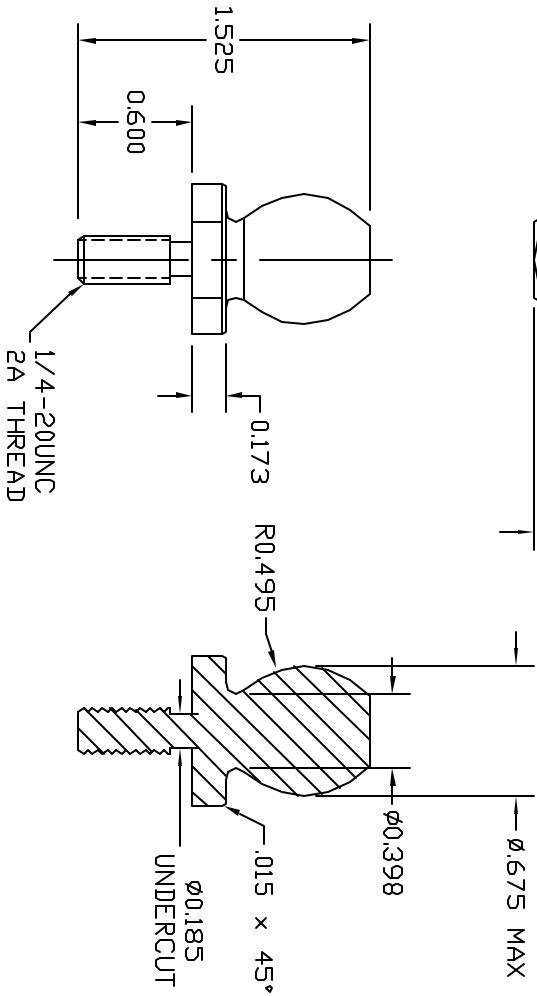


①
0.687 MAX / 0.673 MIN
WIDTH BETWEEN
FLATS



APPROVED

AS DRAWN:

AS NOTED:

DATE:

THIS DOCUMENT AND THE CONTENTS THEREOF IS THE PROPERTY OF HARGER INC., AND IS FURNISHED TO YOU FOR INFORMATION ONLY. THE INFORMATION CONTAINED HEREIN IS CONFIDENTIAL AND OF A PROPRIETARY NATURE AND MUST NOT BE DISCLOSED TO THIRD PARTIES WITHOUT THE EXPRESS WRITTEN APPROVAL OF HARGER INC.

LET	REVISION	DATE	BY
B	.675 was .687	080409	BK
A	ADD HEX TOLERANCE	081704	EHS

TOLERANCES UNLESS NOTED:
FRACTIONAL +/- 1/64
.00 +/- .010
.000 +/- .005

PART NO. BBSTUD14
GROUND RECEIPTACLE STUD

DRAWN BY: EHS
CHECKED BY:

DATE: 030102



301 ZIEGLER DRIVE
GRAYS LAKE, IL 60030
(847) 548-8700

REVISION: B

SCALE: FULL

SHEET: 1 OF 1