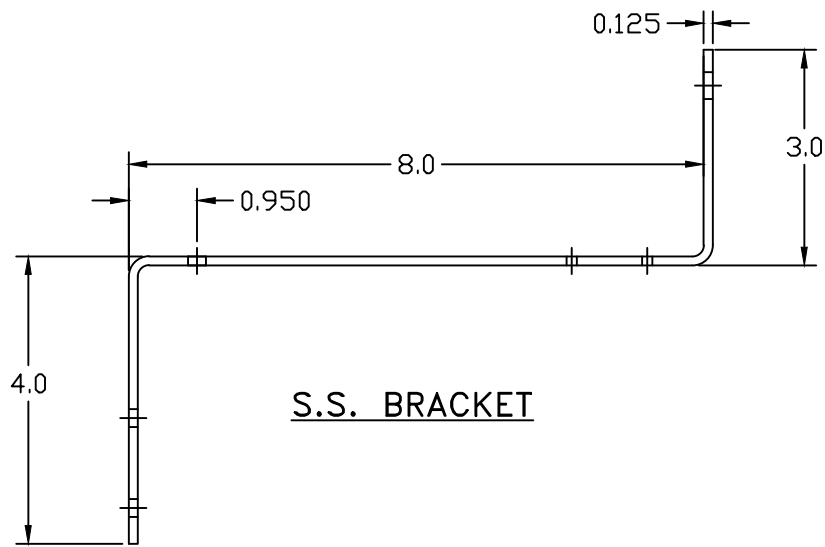
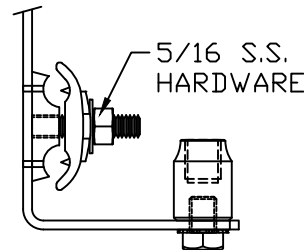




FLAT LAYOUT



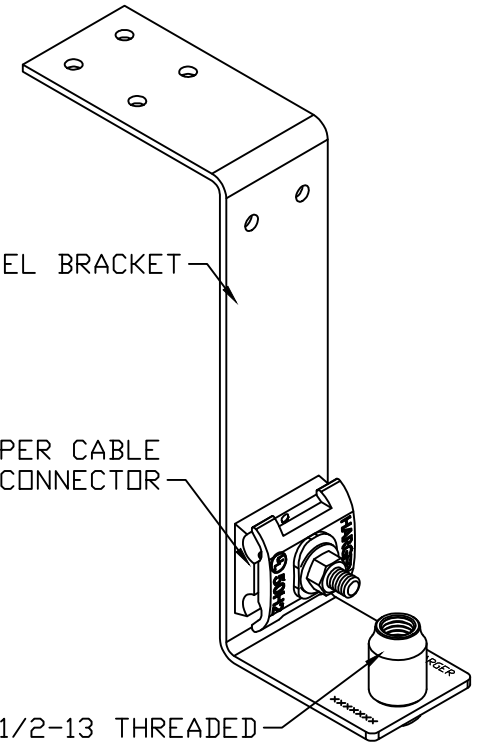
S.S. BRACKET



STAINLESS STEEL BRACKET

COPPER CABLE CONNECTOR

1/2-13 THREADED COPPER ADAPTER



COPPER CONCEALED COPING BASE ASSEMBLY

EST WT 1.2#

APPROVED

AS DRAWN: _____
 AS NOTED: _____
 DATE: _____

THIS DOCUMENT AND THE CONTENTS THEREOF IS THE PROPERTY OF HARGER INC., AND IS FURNISHED TO YOU FOR INFORMATION ONLY. THE INFORMATION CONTAINED HEREIN IS CONFIDENTIAL AND OF A PROPRIETARY NATURE AND MUST NOT BE DISCLOSED TO THIRD PARTIES WITHOUT THE EXPRESS WRITTEN APPROVAL OF HARGER INC.

LET	REVISION	DATE	BY
TOLERANCES UNLESS NOTED:		3RD ANGLE PROJECTION	
FRACTIONAL +/- 1/16		⊕	
DECIMAL +/- .030			
BREAK SHARP EDGES			

PART NO. CCCB12SS
 CONCEALED COPING BASE ASSEMBLY

DRAWN BY:
 LAL
 CHECKED BY:
 DATE:
 012323



301 ZIEGLER DRIVE
 GRAYSLAKE, IL 60030
 (847) 548-8700

REVISION:
 -
 SCALE:
 3/8
 SHEET:
 1 OF 1