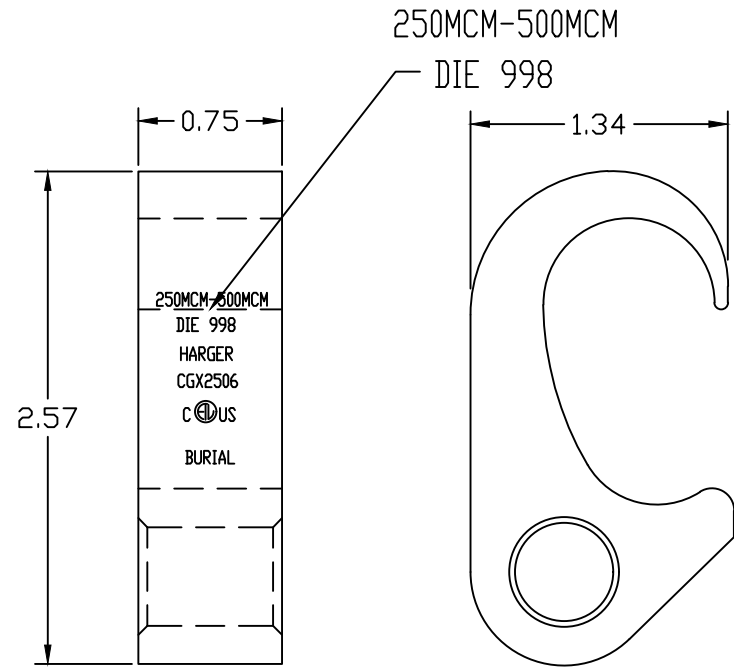
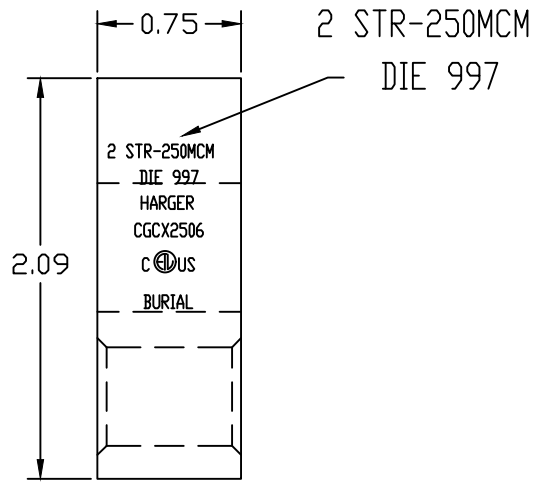
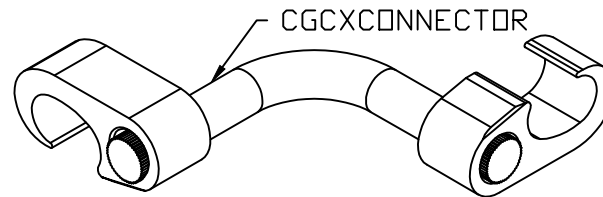


ELEMENT A



ELEMENT B



ELEMENT A

ELEMENT B

MATERIAL: HIGH CONDUCTIVITY
COPPER ALLOY

CGCX ASSEMBLY

EST WT 1.03#

APPROVED

AS DRAWN: _____
 AS NOTED: _____
 DATE: _____

THIS DOCUMENT AND THE CONTENTS THEREOF IS THE PROPERTY OF HARGER INC., AND IS FURNISHED TO YOU FOR INFORMATION ONLY. THE INFORMATION CONTAINED HEREIN IS CONFIDENTIAL AND OF A PROPRIETARY NATURE AND MUST NOT BE DISCLOSED TO THIRD PARTIES WITHOUT THE EXPRESS WRITTEN APPROVAL OF HARGER INC.

LET	REVISION	DATE	BY
TOLERANCES UNLESS NOTED:			
FRACTIONAL +/- 1/16			
.00 +/- .03			
.000 +/- .010			
		3RD ANGLE PROJECTION	

PART NO. CGCX2506
COMPRESSION GROUNDING

DRAWN BY:
WBD
CHECKED BY:
DATE:
072718



301 ZIEGLER DRIVE
GRAYSLAKE, IL 60030
(847) 548-8700

REVISION:
—
SCALE:
FULL
SHEET:
1 OF 1