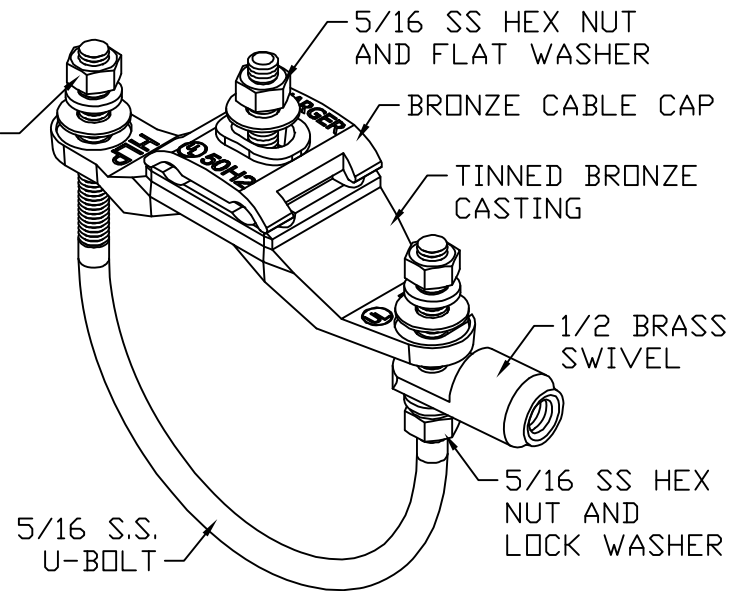


5/16 SS HEX NUT  
LOCK WASHER AND  
FLAT WASHER



5/16 SS HEX NUT  
AND FLAT WASHER

BRONZE CABLE CAP

TINNED BRONZE  
CASTING

1/2 BRASS  
SWIVEL

5/16 SS HEX  
NUT AND  
LOCK WASHER

5/16 S.S.  
U-BOLT

**TINNED COPPER PIPE RAIL BASE**  
**3-1/2 TO 4" NOM. PIPE 1/2 A.T.**

EST WT 1.32#

**APPROVED**

AS DRAWN: \_\_\_\_\_  
 AS NOTED: \_\_\_\_\_  
DATE: \_\_\_\_\_

THIS DOCUMENT AND THE CONTENTS THEREOF IS THE PROPERTY OF HARGER INC., AND IS FURNISHED TO YOU FOR INFORMATION ONLY. THE INFORMATION CONTAINED HEREIN IS CONFIDENTIAL AND OF A PROPRIETARY NATURE AND MUST NOT BE DISCLOSED TO THIRD PARTIES WITHOUT THE EXPRESS WRITTEN APPROVAL OF HARGER INC.

D	ADD PACKAGE NOTE	081604	EHS
C	RAW CASTING NOW TINNED	060502	WSM
B	ADDED ISSUE CUBS12AD	110300	LAL
A	LW5S WAS 2 PCS	051000	KAB
LET	REVISION	DATE	BY
TOLERANCES UNLESS NOTED:		3RD ANGLE PROJECTION	
FRACTIONAL +/- 1/16			
DECIMAL +/- .030			
REMOVE ALL BURRS/FLASH			

**PART NO. CPRB3.5/4AT12**  
PIPE RAIL BASE

DRAWN BY:  
**KAB**

CHECKED BY:

DATE:  
021100



301 ZIEGLER DRIVE  
GRAYSLAKE, IL 60030  
(847) 548-8700

REVISION:  
D  
SCALE:  
NTS  
SHEET:  
1 OF 1