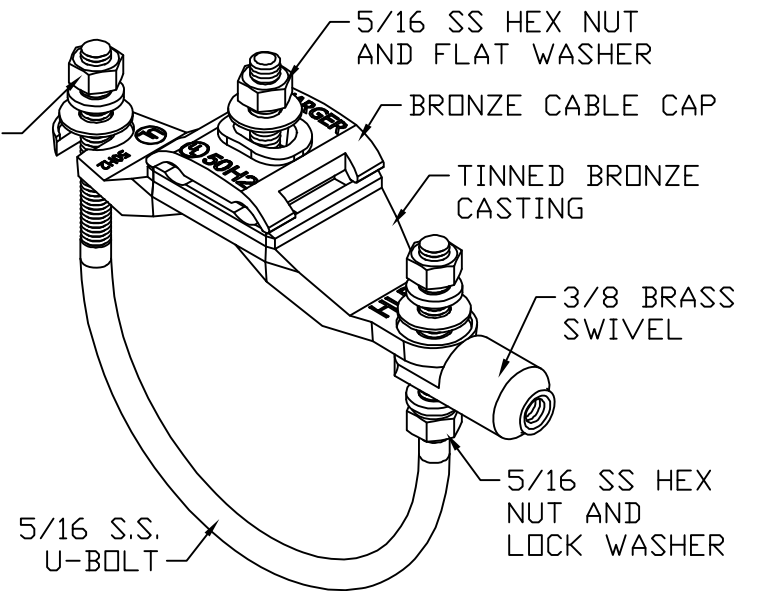


5/16 SS HEX NUT
LOCK WASHER AND
FLAT WASHER



TINNED COPPER PIPE RAIL BASE
3-1/2 TO 4" NOM. PIPE 3/8 A.T.

EST WT 1.32#

APPROVED

AS DRAWN: _____
 AS NOTED: _____
DATE: _____

THIS DOCUMENT AND THE CONTENTS THEREOF IS THE PROPERTY OF HARGER INC., AND IS FURNISHED TO YOU FOR INFORMATION ONLY. THE INFORMATION CONTAINED HEREIN IS CONFIDENTIAL AND OF A PROPRIETARY NATURE AND MUST NOT BE DISCLOSED TO THIRD PARTIES WITHOUT THE EXPRESS WRITTEN APPROVAL OF HARGER INC.

D	WAS 136TOP	010908	DVB
C	RAW CASTING NOW TINNED	040502	WSM
B	ADDED ISSUE CUBS12AD	110300	LAL
A	LW5S WAS 2 PCS	051000	KAB
LET	REVISION	DATE	BY
TOLERANCES UNLESS NOTED:		3RD ANGLE PROJECTION	
FRACTIONAL +/- 1/16			
DECIMAL +/- .030			
REMOVE ALL BURRS/FLASH			

PART NO. CPRB3.5/4AT38
PIPE RAIL BASE

DRAWN BY:
KAB
CHECKED BY:
KAB
DATE:
021100



301 ZIEGLER DRIVE
GRAYSLAKE, IL 60030
(847) 548-8700

REVISION:
D
SCALE:
NTS
SHEET:
1 OF 1