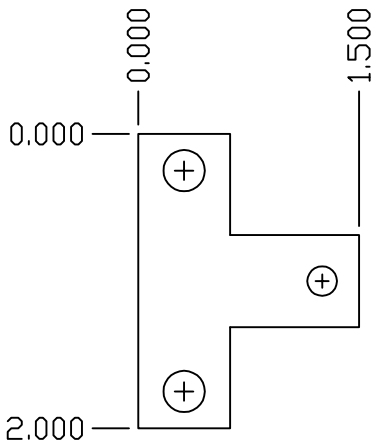
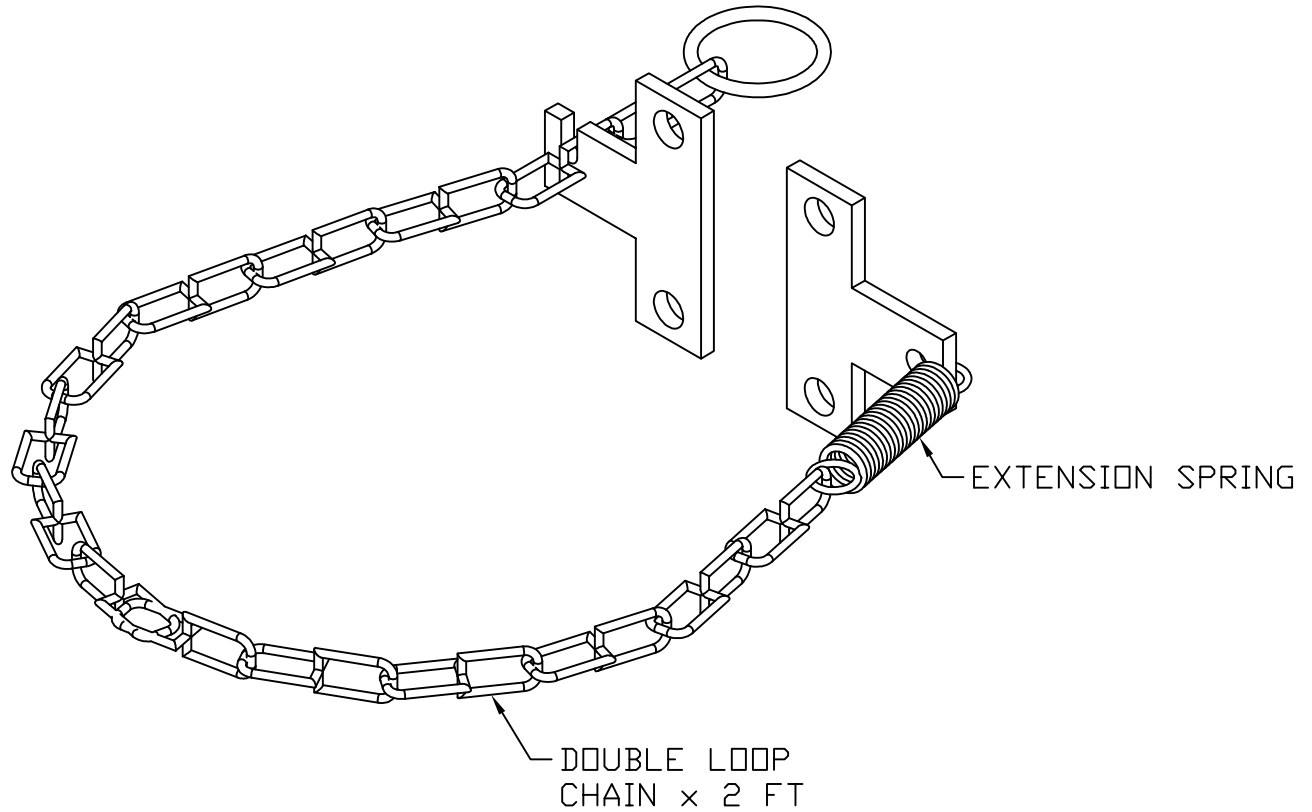


CHAIN BRACKET, 1/8" STEEL
CLEAR ZINC PLATE



SPRING BRACKET, 1/8" STEEL
CLEAR ZINC PLATE



CHAIN SUPPORT KIT VERTICAL

EST WT 0.2#

APPROVED

AS DRAWN: _____
 AS NOTED: _____
 DATE: _____

THIS DOCUMENT AND THE CONTENTS THEREOF IS THE PROPERTY OF HARGER INC., AND IS FURNISHED TO YOU FOR INFORMATION ONLY. THE INFORMATION CONTAINED HEREIN IS CONFIDENTIAL AND OF A PROPRIETARY NATURE AND MUST NOT BE DISCLOSED TO THIRD PARTIES WITHOUT THE EXPRESS WRITTEN APPROVAL OF HARGER INC.

LET	REVISION	DATE	BY
-	-	-	-
TOLERANCES UNLESS NOTED:			
FRACTIONAL		+/- 1/64	
.00		+/- .010	
.000		+/- .005	

PART NO. CSKITVPH3
MH3 VERTICAL PIPE ATTACHMENT

DRAWN BY:
LAL
CHECKED BY:
DATE:
041014

HARGER
301 ZIEGLER DRIVE
GRAYSLAKE, IL 60030
(847) 548-8700

REVISION:
-
SCALE:
3/4
SHEET:
1 OF 1