

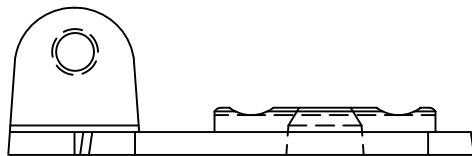
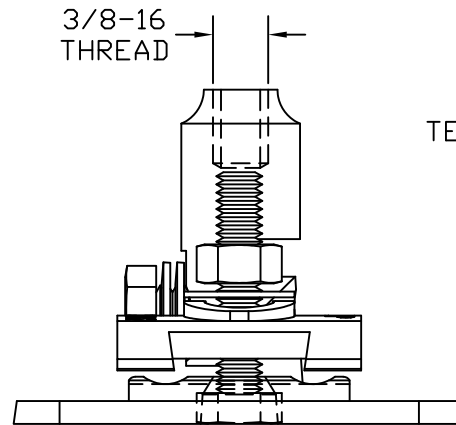
5/16 S.S. HEX
SCREW WITH (2)
SPRING WASHERS

BRASS SWIVEL
ADAPTER

5/16 S.S. HEX
NUT AND FLAT
WASHER

BRONZE AIR
TERMINAL BASE

BRONZE CABLE CAP



3/8 COPPER SWIVEL BASE

EST WT 0.96#

APPROVED

AS DRAWN: _____
 AS NOTED: _____
 DATE: _____

THIS DOCUMENT AND THE CONTENTS THEREOF IS THE PROPERTY OF HARGER INC., AND IS FURNISHED TO YOU FOR INFORMATION ONLY. THE INFORMATION CONTAINED HEREIN IS CONFIDENTIAL AND OF A PROPRIETARY NATURE AND MUST NOT BE DISCLOSED TO THIRD PARTIES WITHOUT THE EXPRESS WRITTEN APPROVAL OF HARGER INC.

E	WAS LW5S ECO 0138	040617	LAL
D	CUBS38AD,133TOP NOW SWMLTOP38	042806	DVB
C	ADDED PACKAGE NOTE	100903	WSM
B	UPDATED DWG TO NEW CASTING	052902	WSM
A	ADDED ISSUE CUBS38AD	110300	LAL
LET	REVISION	DATE	BY
TOLERANCES UNLESS NOTED:		3RD ANGLE PROJECTION	
FRACTIONAL +/- 1/16		⊕	
DECIMAL +/- .030			
BREAK SHARP EDGES			

PART NO. CUBS38
 SWIVEL BASE ASSEMBLY

DRAWN BY:
LAL
 CHECKED BY:
 DATE:
110598



301 ZIEGLER DRIVE
 GRAYSLAKE, IL 60030
 (847) 548-8700

REVISION:
E
 SCALE:
3/4
 SHEET:
1 OF 1