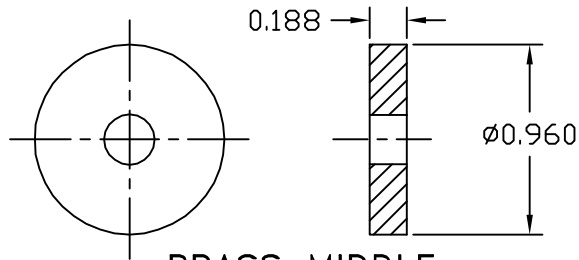
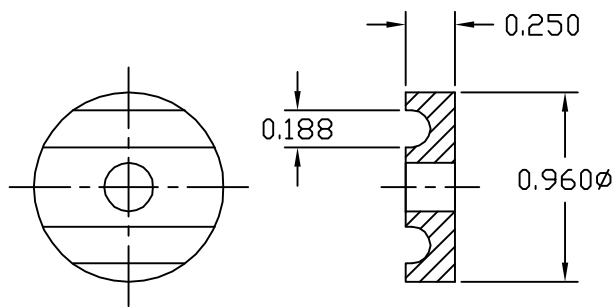


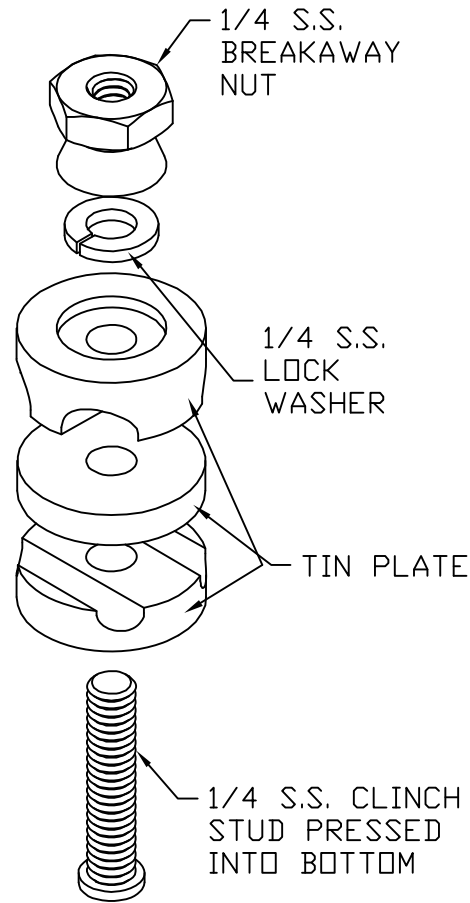
**BRASS TOP**



**BRASS MIDDLE**



**BRASS BOTTOM**



**TINNED BRASS FENCE FABRIC CLAMP**

EST WT 0.2#

**APPROVED**

AS DRAWN: \_\_\_\_\_  
 AS NOTED: \_\_\_\_\_  
 DATE: \_\_\_\_\_

THIS DOCUMENT AND THE CONTENTS THEREOF IS THE PROPERTY OF HARGER INC., AND IS FURNISHED TO YOU FOR INFORMATION ONLY. THE INFORMATION CONTAINED HEREIN IS CONFIDENTIAL AND OF A PROPRIETARY NATURE AND MUST NOT BE DISCLOSED TO THIRD PARTIES WITHOUT THE EXPRESS WRITTEN APPROVAL OF HARGER INC.

A	IDENTIFY CRITICAL DIMS	122217	HR
LET	REVISION	DATE	BY
TOLERANCES UNLESS NOTED:		3RD ANGLE PROJECTION	
FRACTIONAL	+/- 1/16		
.00	+/- .03		
.000	+/- .010		

**PART NO. FGC2TP**  
 FENCE FABRIC CLAMP

DRAWN BY:  
**LAL**  
 CHECKED BY:  
 DATE:  
 122710



301 ZIEGLER DRIVE  
 GRAYSLAKE, IL 60030  
 (847) 548-8700

REVISION:  
 A  
 SCALE:  
 FULL  
 SHEET:  
 1 OF 1