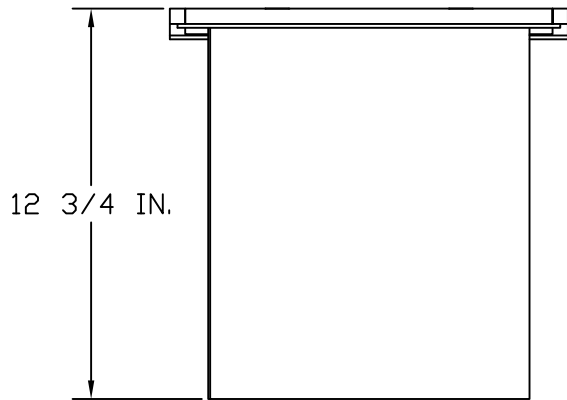
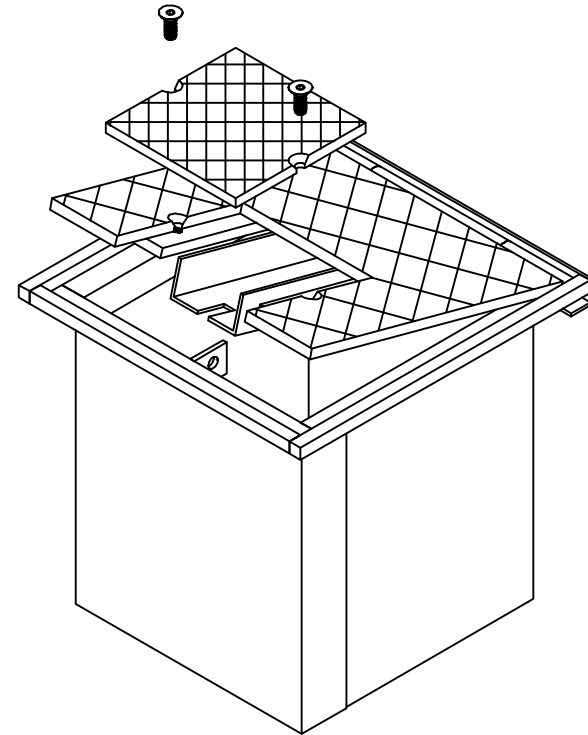


PADLOCK COMPARTMENT WITH BOLTED COVER



12 IN. HINGED COVER  
LOCKING TEST WELL

3/8 IN. STEEL COVER, BLACK  
PAINT FINISH

16 GA. ALUMINIZED STEEL SKIRT

AASHTO H-20 WHEEL LOADING

EST WT 40#

APPROVED

AS DRAWN: \_\_\_\_\_  
 AS NOTED: \_\_\_\_\_  
 DATE: \_\_\_\_\_

THIS DOCUMENT AND THE CONTENTS THEREOF IS THE PROPERTY OF HARGER INC., AND IS FURNISHED TO YOU FOR INFORMATION ONLY. THE INFORMATION CONTAINED HEREIN IS CONFIDENTIAL AND OF A PROPRIETARY NATURE AND MUST NOT BE DISCLOSED TO THIRD PARTIES WITHOUT THE EXPRESS WRITTEN APPROVAL OF HARGER INC.

LET	REVISION	DATE	BY
-	-	-	-
TOLERANCES UNLESS NOTED:		3RD ANGLE PROJECTION	
FRACTIONAL +/- 1/16			
DECIMAL +/- .030			
BREAK SHARP EDGES			

PART NO. GAW121212TDLH  
GROUND ACCESS WELL

DRAWN BY:  
LAL  
CHECKED BY:  
DATE:  
032816



301 ZIEGLER DRIVE  
GRAYSLAKE, IL 60030  
(847) 548-8700

REVISION:  
-  
SCALE:  
NTS  
SHEET:  
1 OF 1