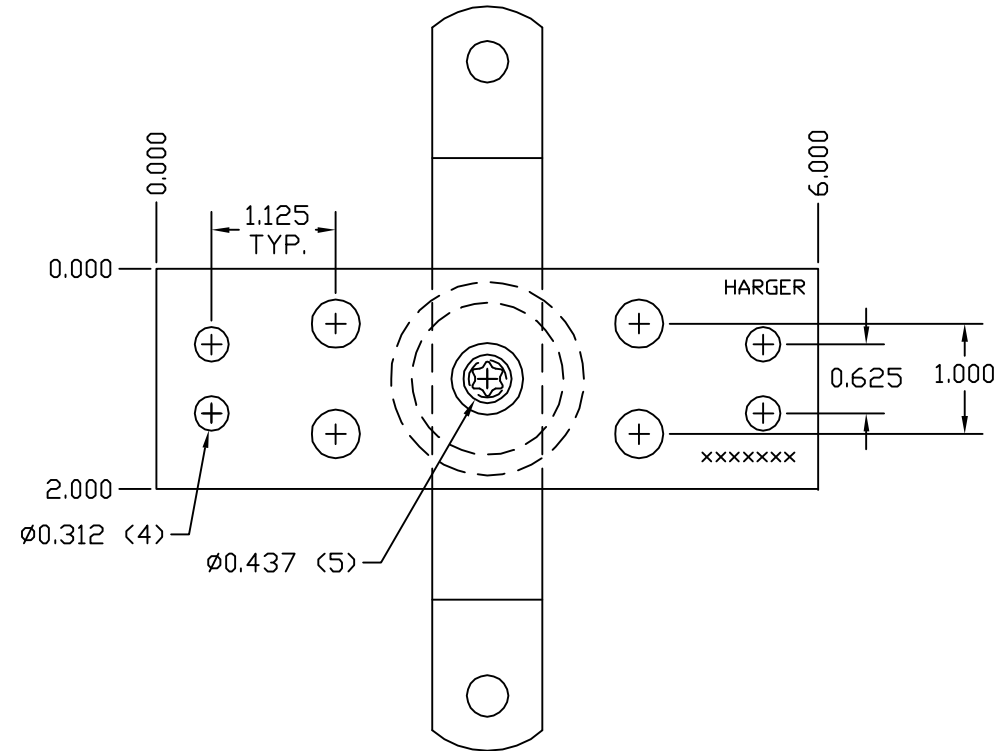
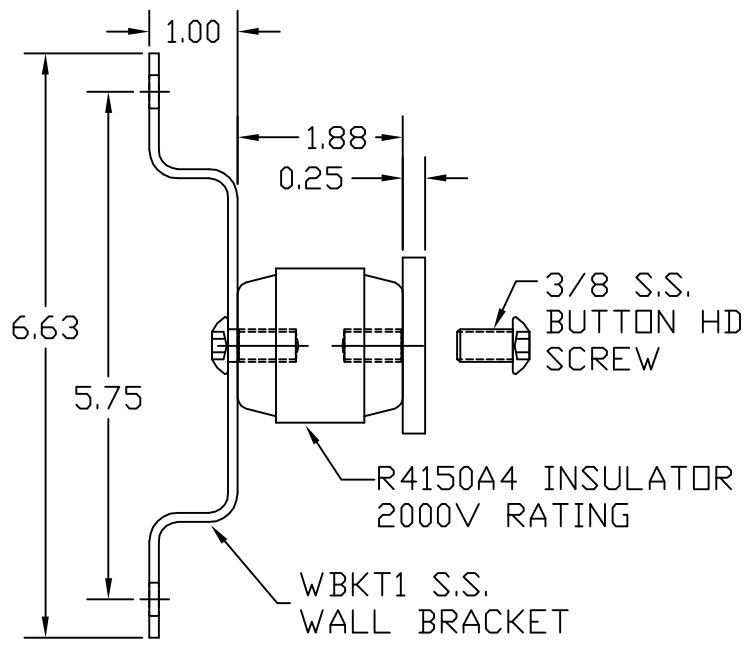


**HARDWARE KIT**



**HCAJC1/2**



**BICSI GROUND BAR & KIT ASSEMBLY**

EST WT 2.9#

**APPROVED**

AS DRAWN: \_\_\_\_\_  
 AS NOTED: \_\_\_\_\_  
 DATE: \_\_\_\_\_

THIS DOCUMENT AND THE CONTENTS THEREOF IS THE PROPERTY OF HARGER INC., AND IS FURNISHED TO YOU FOR INFORMATION ONLY. THE INFORMATION CONTAINED HEREIN IS CONFIDENTIAL AND OF A PROPRIETARY NATURE AND MUST NOT BE DISCLOSED TO THIRD PARTIES WITHOUT THE EXPRESS WRITTEN APPROVAL OF HARGER INC.

A	BH65SP WAS CS66S, LW6S, W6S	071408	DVB
LET	REVISION	DATE	BY
TOLERANCES UNLESS NOTED:		3RD ANGLE PROJECTION	
FRACTIONAL	+/- 1/16		
.00	+/- .030		
.000	+/- .010		

**PART NO. GBI1426TGBKT**  
 BICSI GROUND BAR & KIT ASSEMBLY

DRAWN BY: WSM  
 CHECKED BY: \_\_\_\_\_  
 DATE: 101303



REVISION: -  
 SCALE: 9/16  
 SHEET: 1 OF 1