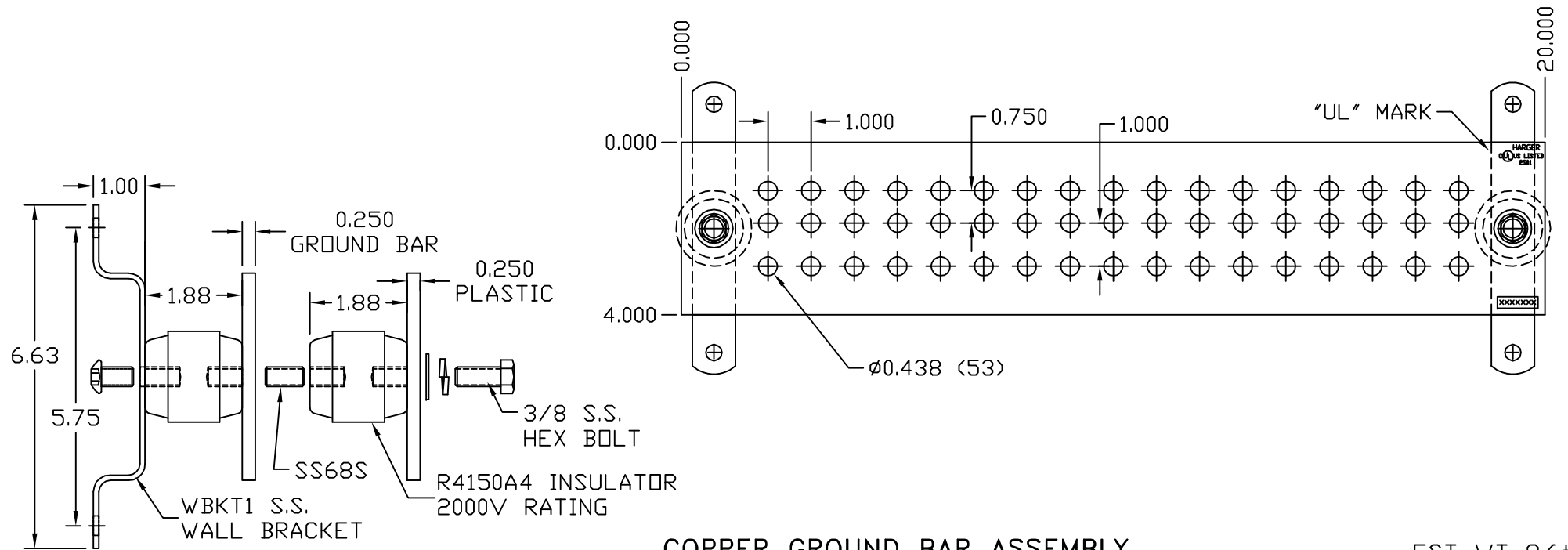


CLEAR PLASTIC COVER



COPPER GROUND BAR ASSEMBLY

EST WT 8.6#

APPROVED

AS DRAWN: _____
 AS NOTED: _____
 DATE: _____

THIS DOCUMENT AND THE CONTENTS THEREOF IS THE PROPERTY OF HARGER INC., AND IS FURNISHED TO YOU FOR INFORMATION ONLY. THE INFORMATION CONTAINED HEREIN IS CONFIDENTIAL AND OF A PROPRIETARY NATURE AND MUST NOT BE DISCLOSED TO THIRD PARTIES WITHOUT THE EXPRESS WRITTEN APPROVAL OF HARGER INC.

LET	REVISION	DATE	BY

TOLERANCES UNLESS NOTED:
 FRACTIONAL +/- 1/16
 DECIMAL +/- .030
 BREAK SHARP EDGES

3RD ANGLE PROJECTION

PART NO. GBIP14420JMGMB
 GROUND BAR ASSEMBLY

DRAWN BY: WSM
 CHECKED BY: _____
 DATE: 011602

REVISION: -
 SCALE: 9/32
 SHEET: 1 OF 1

HARGER
 301 ZIEGLER DRIVE
 GRAYSLAKE, IL 60030
 (847) 548-8700