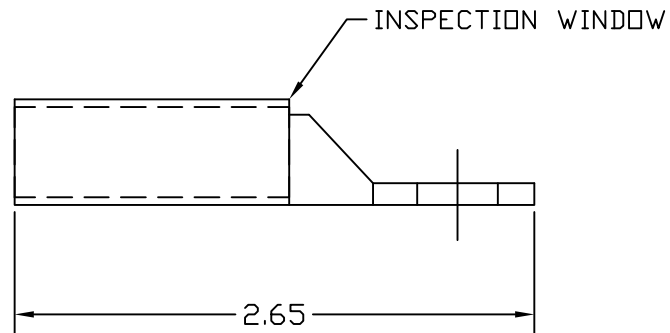
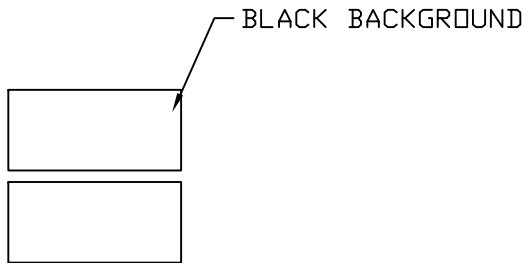


BARREL LABEL, TOP HALF



BARREL LABEL, BOTTOM HALF

LONG BARREL LUG

APPROVED

AS DRAWN: _____
 AS NOTED: _____
 DATE: _____

THIS DOCUMENT AND THE CONTENTS THEREOF IS THE PROPERTY OF HARGER INC., AND IS FURNISHED TO YOU FOR INFORMATION ONLY. THE INFORMATION CONTAINED HEREIN IS CONFIDENTIAL AND OF A PROPRIETARY NATURE AND MUST NOT BE DISCLOSED TO THIRD PARTIES WITHOUT THE EXPRESS WRITTEN APPROVAL OF HARGER INC.

LET	REVISION	DATE	BY

TOLERANCES UNLESS NOTED:
 FRACTIONAL +/- 1/8
 DECIMAL +/- .060

3RD ANGLE PROJECTION

PART NO. GECLB2/0
 COPPER COMPRESSION LUG

DRAWN BY:
LAL
 CHECKED BY:
-
 DATE:
120214

HARGER™
 301 ZIEGLER DRIVE
 GRAYSLAKE, IL 60030
 (847) 548-8700

REVISION:
-
 SCALE:
FULL
 SHEET:
1 OF 1