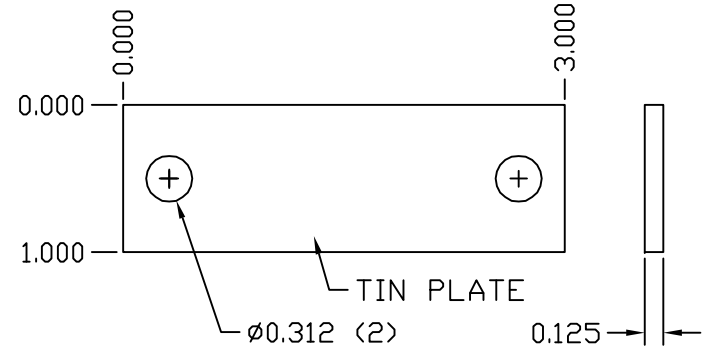
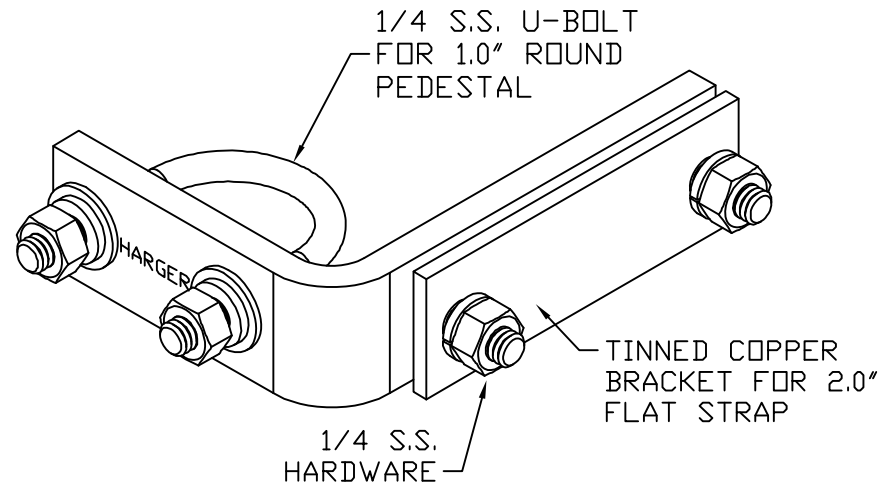
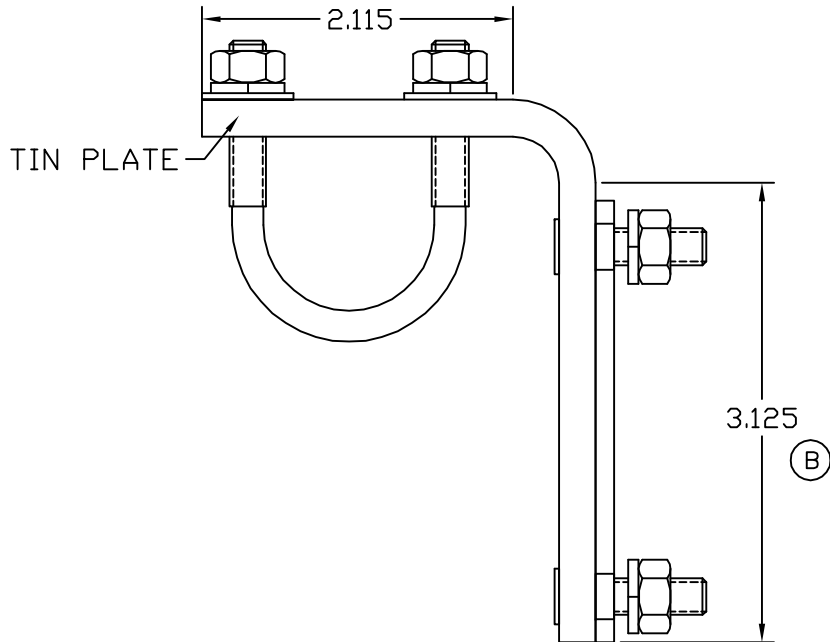


**COPPER BRACKET  
FLAT LAYOUT**



**COPPER SANDWICH PLATE**



**GROUND PEDESTAL CLAMP**

EST WT 0.8#

**APPROVED**

AS DRAWN: \_\_\_\_\_  
 AS NOTED: \_\_\_\_\_  
 DATE: \_\_\_\_\_

THIS DOCUMENT AND THE CONTENTS THEREOF IS THE PROPERTY OF HARGER INC., AND IS FURNISHED TO YOU FOR INFORMATION ONLY. THE INFORMATION CONTAINED HEREIN IS CONFIDENTIAL AND OF A PROPRIETARY NATURE AND MUST NOT BE DISCLOSED TO THIRD PARTIES WITHOUT THE EXPRESS WRITTEN APPROVAL OF HARGER INC.

B	WAS 3.00	072503	LAL
A	ADDED PACKAGING NOTE	052703	EHS
LET	REVISION	DATE	BY
TOLERANCES UNLESS NOTED:		3RD ANGLE PROJECTION	
FRACTIONAL +/- 1/16			
DECIMAL +/- .030			
BREAK SHARP EDGES			

**PART NO. GPC2FSRD**  
GROUND PEDESTAL CLAMP

DRAWN BY:  
DVBV  
 CHECKED BY:  
 DATE:  
101806



301 ZIEGLER DRIVE  
GRAYSLAKE, IL 60030  
(847) 548-8700

REVISION:  
-  
 SCALE:  
3/4  
 SHEET:  
1 OF 1