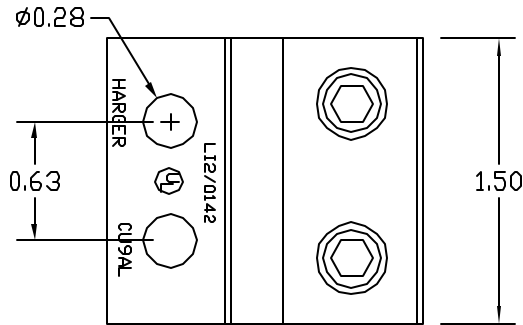
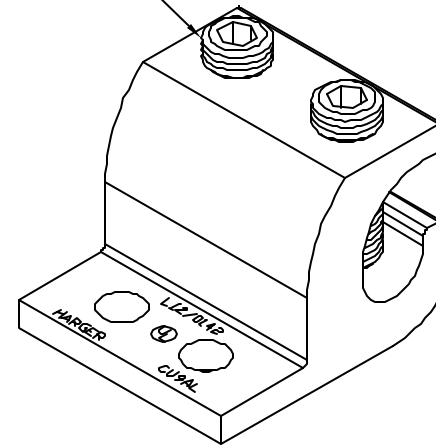


3/8-24 SET SCREW
HEX SOCKET
OVAL POINT



MATERIAL:
BODY, 6061-T6 ALUMINUM
ELECTRO TIN PLATED
ASTMB-545-97 .0001-.0002 THICK.
SCREW, STEEL ZINC PLATED

ALUMINUM LAY-IN LUG

EST. WEIGHT 0.25 LBS

APPROVED

AS DRAWN: _____
 AS NOTED: _____
DATE: _____

THIS DOCUMENT AND THE CONTENTS THEREOF IS THE PROPERTY OF HARGER INC., AND IS FURNISHED TO YOU FOR INFORMATION ONLY. THE INFORMATION CONTAINED HEREIN IS CONFIDENTIAL AND OF A PROPRIETARY NATURE AND MUST NOT BE DISCLOSED TO THIRD PARTIES WITHOUT THE EXPRESS WRITTEN APPROVAL OF HARGER INC.

A	UL LOGO MOVED TO BETWEEN HOLES PER SAMPLE	012909	LAL
LET	REVISION	DATE	BY
TOLERANCES UNLESS NOTED:		3RD ANGLE PROJECTION	
FRACTIONAL	+/- 1/16		
.00	+/- .030		
.000	+/- .010		

PART NO. LI2/0142
ALUMINUM LAY-IN LUG 2/0-14

DRAWN BY: DVBV		REVISION: A
CHECKED BY: -		SCALE: FULL
DATE: 110807		SHEET: 1 OF 1

301 ZIEGLER DRIVE
GRAYSLAKE, IL 60030
(847) 548-8700