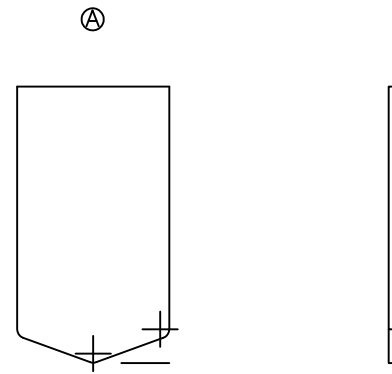
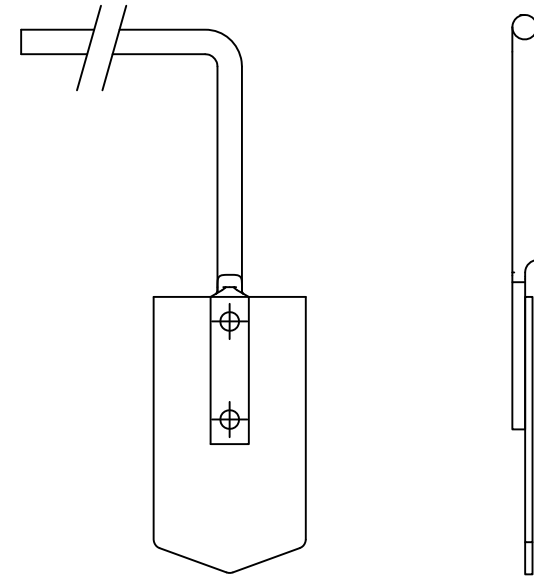


ARM



SPADE



ASSEMBLY :NTS  
CLEAR ZINC PLATE

EST WT 0.26#

APPROVED

AS DRAWN: \_\_\_\_\_  
 AS NOTED: \_\_\_\_\_  
 DATE: \_\_\_\_\_

THIS DOCUMENT AND THE CONTENTS THEREOF IS THE PROPERTY OF HARGER INC., AND IS FURNISHED TO YOU FOR INFORMATION ONLY. THE INFORMATION CONTAINED HEREIN IS CONFIDENTIAL AND OF A PROPRIETARY NATURE AND MUST NOT BE DISCLOSED TO THIRD PARTIES WITHOUT THE EXPRESS WRITTEN APPROVAL OF HARGER INC.

A	1.55 WAS 1.80	051810	BK
LET	REVISION	DATE	BY
TOLERANCES UNLESS NOTED:			
	FRACTIONAL	+/-	1/16
	.00	+/-	.030
	.000	+/-	.010

PART NO. MCSPD150/400  
MOLD CLEANING SPADE

DRAWN BY: BK  
 CHECKED BY:  
 DATE: 120809

**HARGER™**  
 301 ZIEGLER DRIVE  
 GRAYSLAKE, IL 60030  
 (847) 548-8700

REVISION: A  
 SCALE: 1/2  
 SHEET: 1 OF 1