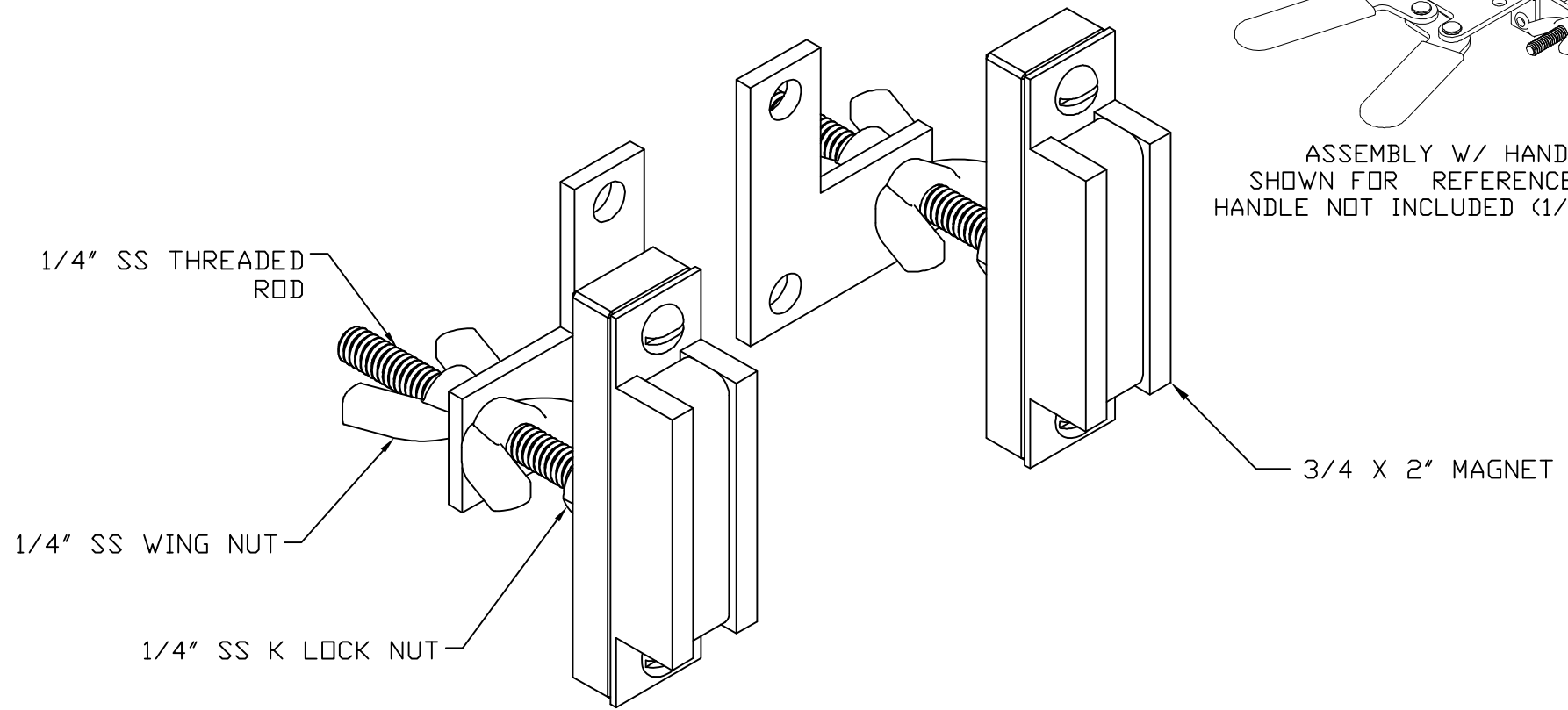


ASSEMBLY W/ HANDLE  
SHOWN FOR REFERENCE ONLY  
HANDLE NOT INCLUDED (1/4 SCALE)



**MOLD HANDLE MAGNETIC SUPPORT KIT**

EST WT 0.82#

**APPROVED**

AS DRAWN: \_\_\_\_\_  
 AS NOTED: \_\_\_\_\_  
 DATE: \_\_\_\_\_

THIS DOCUMENT AND THE CONTENTS THEREOF IS THE PROPERTY OF HARGER INC., AND IS FURNISHED TO YOU FOR INFORMATION ONLY. THE INFORMATION CONTAINED HEREIN IS CONFIDENTIAL AND OF A PROPRIETARY NATURE AND MUST NOT BE DISCLOSED TO THIRD PARTIES WITHOUT THE EXPRESS WRITTEN APPROVAL OF HARGER INC.

LET	REVISION	DATE	BY
-	-	-	-
TOLERANCES UNLESS NOTED:		3RD ANGLE PROJECTION	
FRACTIONAL	+/- 1/16		
.00	+/- .03		
.000	+/- .010		

**PART NO. MSKITH3**  
 MH3 MAGNETIC SUPPORT KIT

DRAWN BY:  
GTE  
 CHECKED BY:  
 DATE:  
012521

**HARGER**  
 301 ZIEGLER DRIVE  
 GRAYSLAKE, IL 60030  
 (847) 548-8700

REVISION:  
-  
 SCALE:  
FULL  
 SHEET:  
1 OF 1