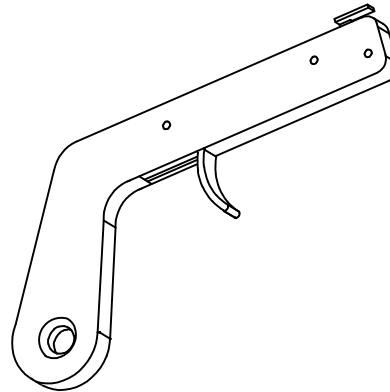
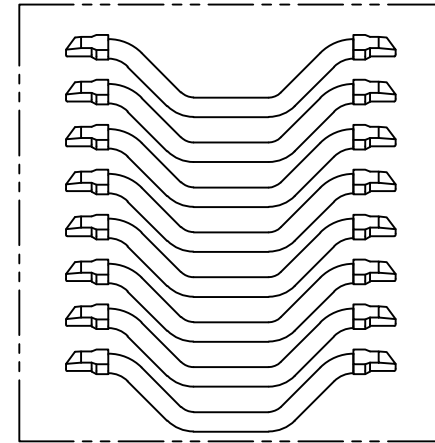


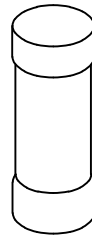
MOLD PAIR FOR 250 C BONDS



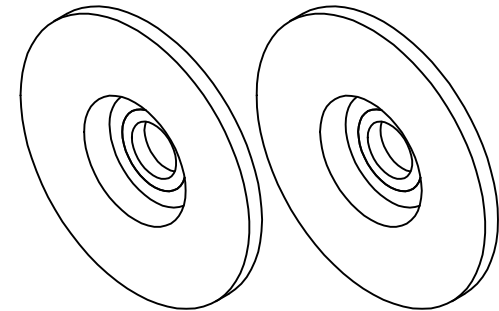
FLINT IGNITER



250MCM x 13 RAIL C BOND x 40 PCS



NUWTUBE90 RAIL x 80 PCS



GRINDING WHEEL x 2 PCS

250MCM x 13 RAIL C BOND KIT

EST WT 84#

APPROVED

AS DRAWN: _____
 AS NOTED: _____
 DATE: _____

THIS DOCUMENT AND THE CONTENTS THEREOF IS THE PROPERTY OF HARGER INC., AND IS FURNISHED TO YOU FOR INFORMATION ONLY. THE INFORMATION CONTAINED HEREIN IS CONFIDENTIAL AND OF A PROPRIETARY NATURE AND MUST NOT BE DISCLOSED TO THIRD PARTIES WITHOUT THE EXPRESS WRITTEN APPROVAL OF HARGER INC.

LET	REVISION	DATE	BY
TOLERANCES UNLESS NOTED:		3RD ANGLE PROJECTION	
FRACTIONAL +/- 1/16		⊕	
DECIMAL +/- .030			
BREAK SHARP EDGES			

PART NO. RBJHC25013KTNT40
 RAIL BOND KIT

DRAWN BY:
 LAL
 CHECKED BY:
 DATE:
 080223



301 ZIEGLER DRIVE
 GRAYSLAKE, IL 60030
 (847) 548-8700

REVISION:
 -
 SCALE:
 3/8
 SHEET:
 1 OF 1