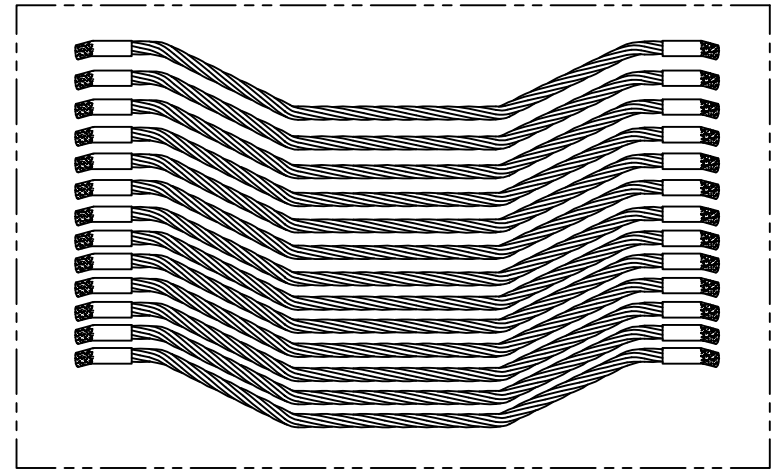
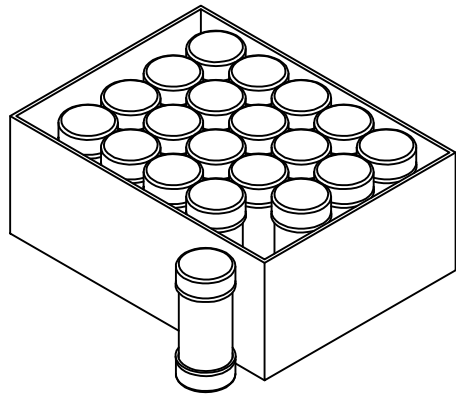


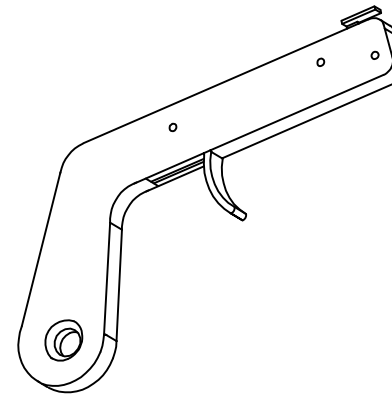
MOLD PAIR FOR 3/16 JH XS BONDS (1)



3/16x9.75 XS BONDS (100)



NUWTUBE25R RAIL ULTRAWELD METAL (200)



FLINT IGNITER (1)

3/16x9.75 XS BOND KIT

EST WT 26#

APPROVED

AS DRAWN: _____
 AS NOTED: _____
 DATE: _____

THIS DOCUMENT AND THE CONTENTS THEREOF IS THE PROPERTY OF HARGER INC., AND IS FURNISHED TO YOU FOR INFORMATION ONLY. THE INFORMATION CONTAINED HEREIN IS CONFIDENTIAL AND OF A PROPRIETARY NATURE AND MUST NOT BE DISCLOSED TO THIRD PARTIES WITHOUT THE EXPRESS WRITTEN APPROVAL OF HARGER INC.

LET	REVISION	DATE	BY
TOLERANCES UNLESS NOTED:		3RD ANGLE PROJECTION	
FRACTIONAL +/- 1/16		⊕	
DECIMAL +/- .030			
BREAK SHARP EDGES			

PART NO. RBJHXS3/169.75KTNT
 SIGNAL BOND KIT

DRAWN BY: GTE
 CHECKED BY: _____
 DATE: 121421

HARGER™
 301 ZIEGLER DRIVE
 GRAYSLAKE, IL 60030
 (847) 548-8700

REVISION: -
 SCALE: 3/8
 SHEET: 1 OF 1