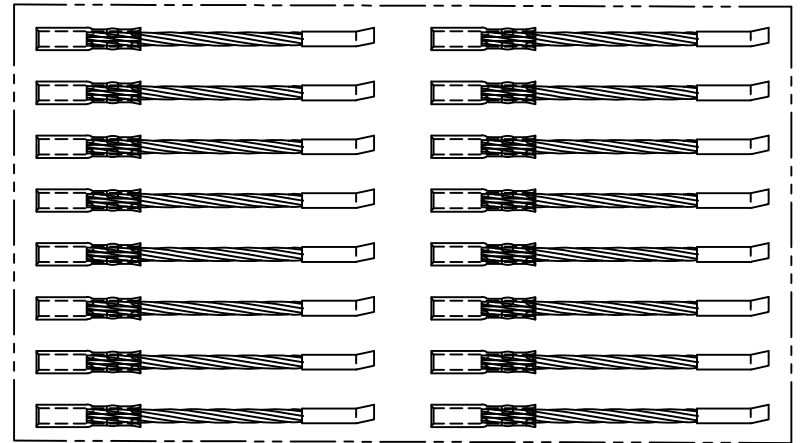
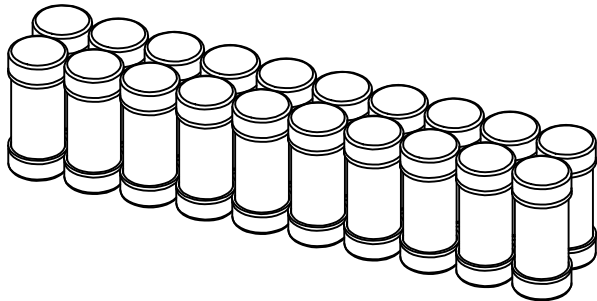


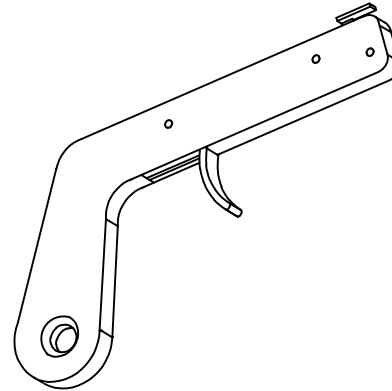
REPLACEMENT MOLD PAIR



3/16x4 TRACK CONNECTOR
BOOTLEG (100) PCS



WELD METAL (100) PCS



FLINT IGNITER (1) PC

TRACK CONNECTOR BOOTLEG KIT

EST WT 18.1#

APPROVED

AS DRAWN: _____
 AS NOTED: _____
 DATE: _____

THIS DOCUMENT AND THE CONTENTS THEREOF IS THE PROPERTY OF HARGER INC., AND IS FURNISHED TO YOU FOR INFORMATION ONLY. THE INFORMATION CONTAINED HEREIN IS CONFIDENTIAL AND OF A PROPRIETARY NATURE AND MUST NOT BE DISCLOSED TO THIRD PARTIES WITHOUT THE EXPRESS WRITTEN APPROVAL OF HARGER INC.

LET	REVISION	DATE	BY
TOLERANCES UNLESS NOTED:		3RD ANGLE PROJECTION	
FRACTIONAL +/- 1/16		⊕	
DECIMAL +/- .030			
BREAK SHARP EDGES			

PART NO. RBTC3/164KTNT
TRACK CONNECTOR KIT

DRAWN BY:
LAL
CHECKED BY:
DATE:
042122



301 ZIEGLER DRIVE
GRAYSLAKE, IL 60030
(847) 548-8700

REVISION:
—
SCALE:
3/8
SHEET:
1 OF 1