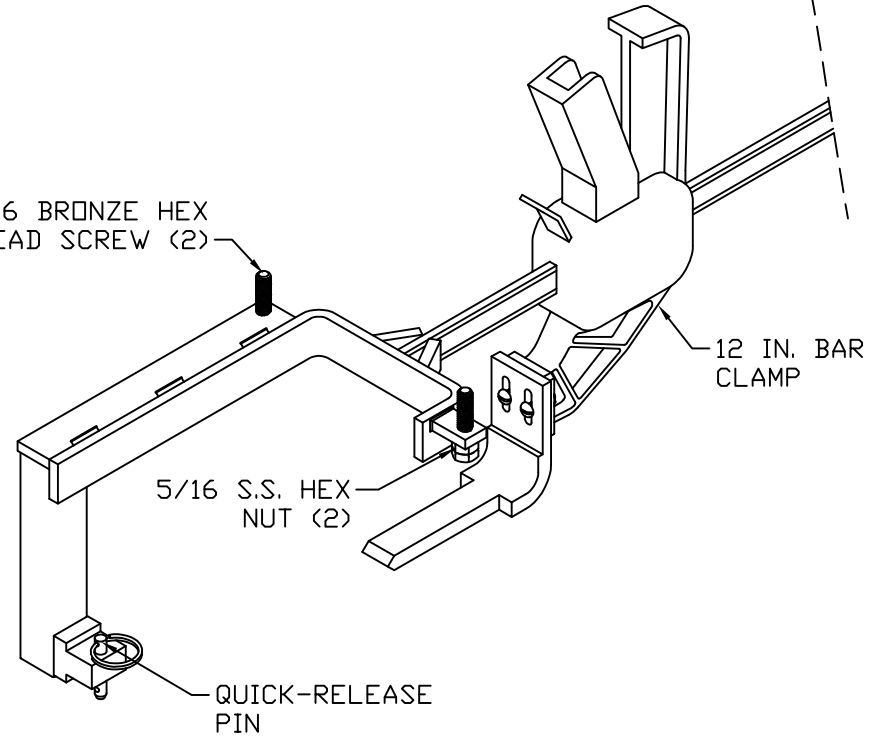


5/16 BRONZE HEX  
HEAD SCREW (2)



EST WT 4.8#

APPROVED

AS DRAWN: \_\_\_\_\_  
 AS NOTED: \_\_\_\_\_  
 DATE: \_\_\_\_\_

THIS DOCUMENT AND THE CONTENTS  
 THEREOF IS THE PROPERTY OF  
 HARGER INC., AND IS FURNISHED TO  
 YOU FOR INFORMATION ONLY. THE  
 INFORMATION CONTAINED HEREIN IS  
 CONFIDENTIAL AND OF A PROPRIETARY  
 NATURE AND MUST NOT BE DISCLOSED  
 TO THIRD PARTIES WITHOUT THE  
 EXPRESS WRITTEN APPROVAL OF  
 HARGER INC.

A	UPDATED DRAWING SEPARATED PART NO.'S	092823	GTE
LET	REVISION	DATE	BY
TOLERANCES UNLESS NOTED:			
	FRACTIONAL	+/- 1/16	
	.00	+/- .030	
	.000	+/- .010	

**PART NO. RMWBC1L**  
 MH1 WEB WELDER BAR CLAMP FRAME, LEFT  
 -

DRAWN BY:  
LAL  
 CHECKED BY:  
 DATE:  
011515

**HARGER™**  
 301 ZIEGLER DRIVE  
 GRAYSLAKE, IL 60030  
 (847) 548-8700

REVISION:  
A  
 SCALE:  
1/4  
 SHEET:  
1 OF 1