

#4/0-19 STRANDED  
CU BARE X 5 FT

BRASS PLUG

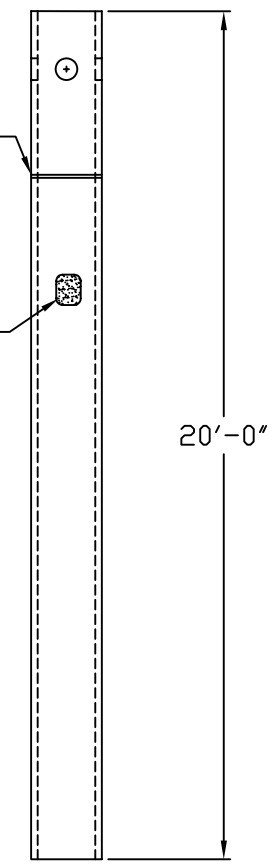
UL LABEL

"BURY TO HERE"  
LINE - GREEN TAPE

EXOTHERMIC WELD

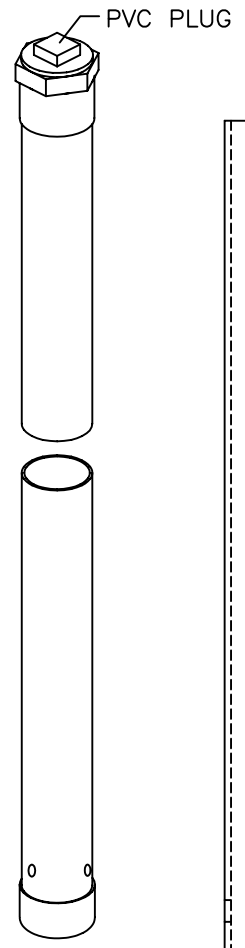
PVC CAP

TOP PIECE  
OF SEGR404/0  
NTS

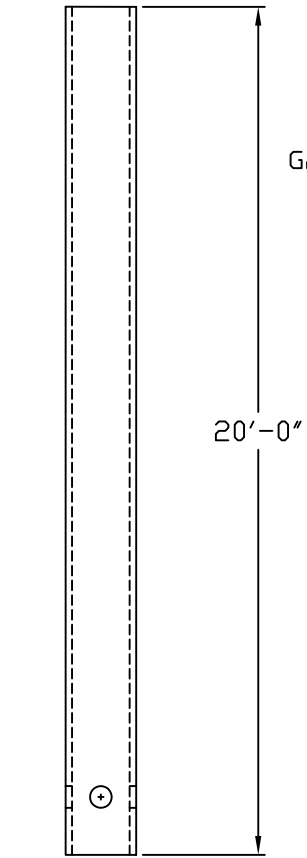


SIDE VIEW  
OF TOP PIPE  
NTS

SECTIONAL CU VERTICAL  
ENHANCED GROUND ROD

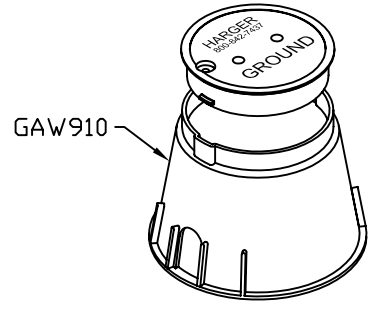


PVC PLUG



SIDE VIEW  
OF BOTTOM PIPE  
NTS

BOTTOM PIECE  
OF SEGR404/0  
NTS



GAW910



GROUND ACCESS WELL  
& ULTRAFILL  
NTS

EST. WEIGHT 551.8 LBS

APPROVED

AS DRAWN: \_\_\_\_\_  
 AS NOTED: \_\_\_\_\_  
 DATE: \_\_\_\_\_

THIS DOCUMENT AND THE CONTENTS THEREOF IS THE PROPERTY OF HARGER INC., AND IS FURNISHED TO YOU FOR INFORMATION ONLY. THE INFORMATION CONTAINED HEREIN IS CONFIDENTIAL AND OF A PROPRIETARY NATURE AND MUST NOT BE DISCLOSED TO THIRD PARTIES WITHOUT THE EXPRESS WRITTEN APPROVAL OF HARGER INC.

LET	REVISION	DATE	BY
-	-	-	-
TOLERANCES UNLESS NOTED:			
FRACTIONAL	+/- 1/16	3RD ANGLE PROJECTION	
.00	+/- .030		
.000	+/- .010		

PART NO. SEGR40WG4/0  
SECTIONAL ENHANCED VERTICAL CU GROUND ROD

DRAWN BY:  
LAL  
CHECKED BY:  
-  
DATE:  
011602



301 ZIEGLER DRIVE  
GRAYSLAKE, IL 60030  
(847) 548-8700

REVISION:  
-  
SCALE:  
NTS  
SHEET:  
1 OF 1