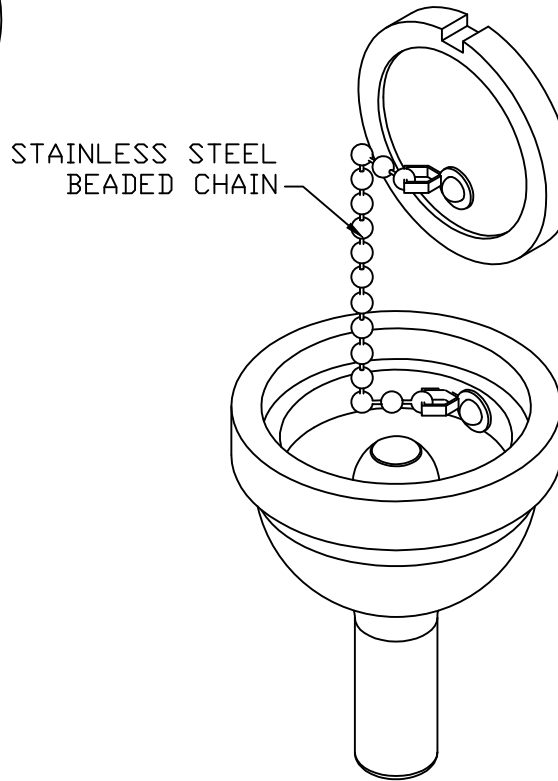
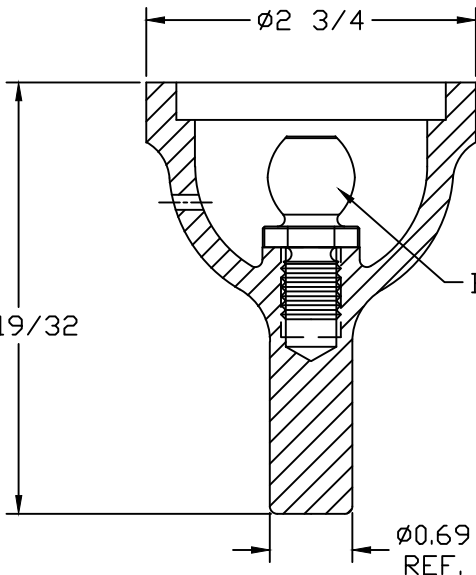


BRONZE CAP



STAINLESS STEEL
BEADED CHAIN



BRASS BALL STUD

BRONZE GROUND RECEPTACLE

STATIC GROUND RECEPTACLE EXOTHERMIC

EST WT 1.4#

APPROVED

AS DRAWN: _____
 AS NOTED: _____
 DATE: _____

THIS DOCUMENT AND THE CONTENTS THEREOF IS THE PROPERTY OF HARGER INC., AND IS FURNISHED TO YOU FOR INFORMATION ONLY. THE INFORMATION CONTAINED HEREIN IS CONFIDENTIAL AND OF A PROPRIETARY NATURE AND MUST NOT BE DISCLOSED TO THIRD PARTIES WITHOUT THE EXPRESS WRITTEN APPROVAL OF HARGER INC.

C	WAS 1.000	062920	LAL
B	ADDED NOTE	072910	LAL
A	WAS MS62S & 6-32 TAP	112206	LAL
LET	REVISION	DATE	BY
TOLERANCES UNLESS NOTED:		3RD ANGLE PROJECTION	
FRACTIONAL +/- 1/16		⊕	
DECIMAL +/- .030			
BREAK SHARP EDGES			

PART NO. SGRX
 STATIC GROUND RECEPTACLE

DRAWN BY:
 LAL
 CHECKED BY:
 DATE:
 072606

HARGER™
 301 ZIEGLER DRIVE
 GRAYSLAKE, IL 60030
 (847) 548-8700

REVISION:
 C
 SCALE:
 5/8
 SHEET:
 1 OF 1