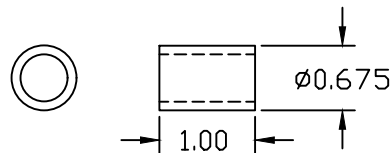
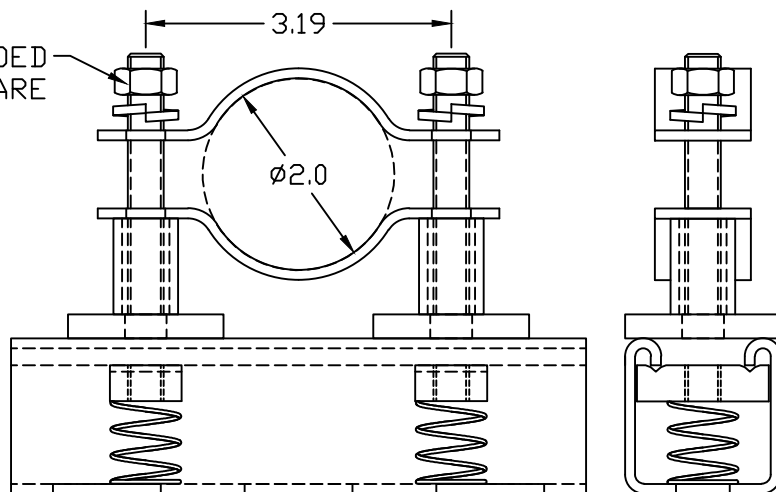


S.S. MAST BRACKETS
FOR $\varnothing 2$ " O.D. (4)

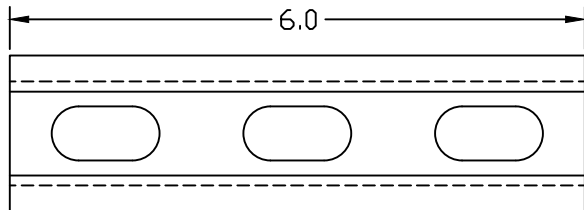
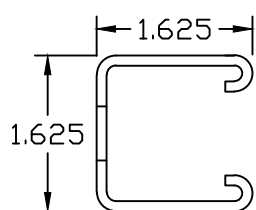


S.S. SPACER (QTY 4)

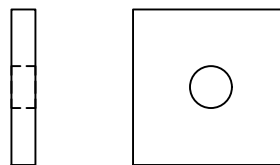
3/8 S.S. THREADED
ROD & HARDWARE



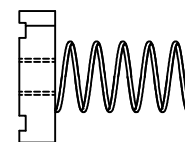
S.S. MAST SUPPORT CLAMP ASSEMBLY
MOUNTS 2" MAST TO FLAT SURFACE



GALVANIZED STRUT (2)



3/8 Zn PLATED
SQUARE WASHER (4)



3/8 SPRING NUT (4)

AIR TERMINAL MAST MOUNTING ASSEMBLY

EST WT 4.3#

APPROVED

AS DRAWN: _____
 AS NOTED: _____
DATE: _____

THIS DOCUMENT AND THE CONTENTS THEREOF IS THE PROPERTY OF HARGER INC., AND IS FURNISHED TO YOU FOR INFORMATION ONLY. THE INFORMATION CONTAINED HEREIN IS CONFIDENTIAL AND OF A PROPRIETARY NATURE AND MUST NOT BE DISCLOSED TO THIRD PARTIES WITHOUT THE EXPRESS WRITTEN APPROVAL OF HARGER INC.

LET	REVISION	DATE	BY
TOLERANCES UNLESS NOTED:		3RD ANGLE PROJECTION	
FRACTIONAL +/- 1/16		⊕	
DECIMAL +/- .030			
BREAK SHARP EDGES			

PART NO. SSATMFSC2
MAST MOUNTING ASSEMBLY

DRAWN BY:
LAL
CHECKED BY:
DATE:
040722



301 ZIEGLER DRIVE
GRAYSLAKE, IL 60030
(847) 548-8700

REVISION:
—
SCALE:
1/2
SHEET:
1 OF 1