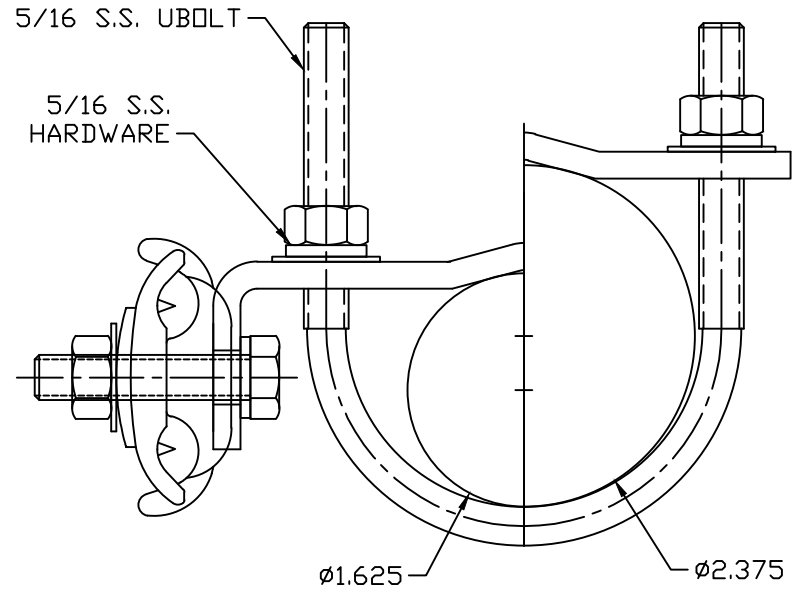
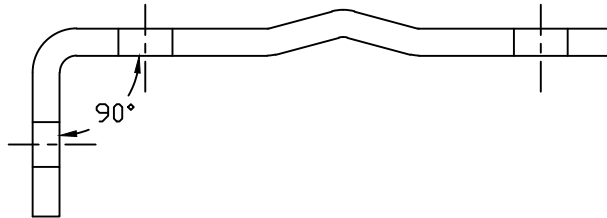


(A)



S.S. PIPE CLAMP

EST WT 1#

APPROVED

AS DRAWN: _____
 AS NOTED: _____
 DATE: _____

THIS DOCUMENT AND THE CONTENTS THEREOF IS THE PROPERTY OF HARGER INC., AND IS FURNISHED TO YOU FOR INFORMATION ONLY. THE INFORMATION CONTAINED HEREIN IS CONFIDENTIAL AND OF A PROPRIETARY NATURE AND MUST NOT BE DISCLOSED TO THIRD PARTIES WITHOUT THE EXPRESS WRITTEN APPROVAL OF HARGER INC.

A	WAS 12GA MAT'L	091704	LAL
LET	REVISION	DATE	BY
TOLERANCES UNLESS NOTED:		3RD ANGLE PROJECTION	
FRACTIONAL	+/- 1/16		
DECIMAL	+/- .030		
BREAK SHARP EDGES			

PART NO. SSGC1.625/2.3750D
 PIPE CLAMP

DRAWN BY:
LAL
 CHECKED BY:
 DATE:
 070604



301 ZIEGLER DRIVE
 GRAYSLAKE, IL 60030
 (847) 548-8700

REVISION:
 A
 SCALE:
 3/4
 SHEET:
 1 OF 1