

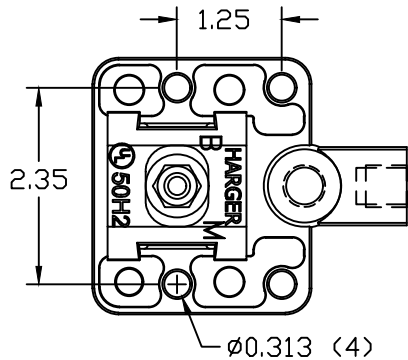
1/2 S.S. THREADED ROD x 12 IN.

1/2 S.S. HEX NUT

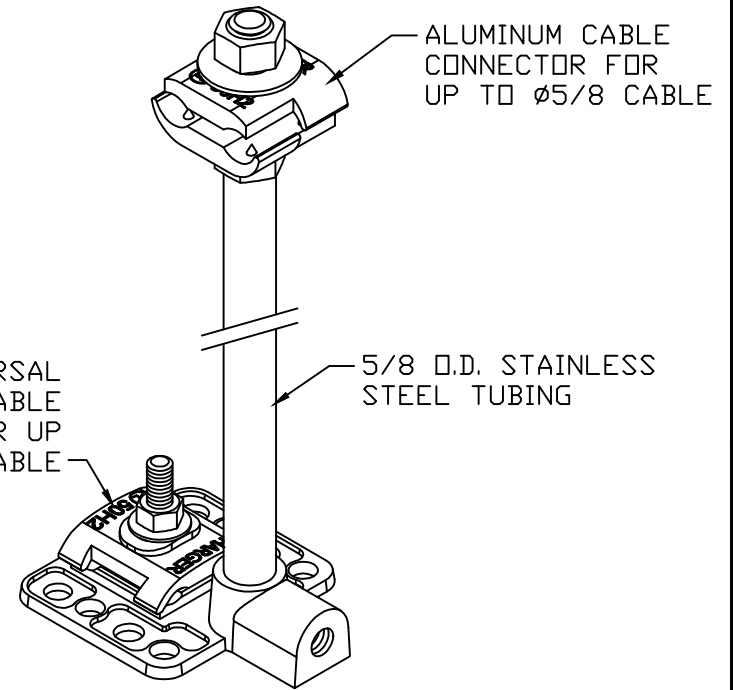
5/16 S.S. HARDWARE

1/2 S.S. HEX NUT AND FLAT WASHER

9.5 IN.



BRONZE UNIVERSAL BASE WITH CABLE CONNECTOR FOR UP TO  $\varnothing 5/8$  CABLE



5/8 O.D. STAINLESS STEEL TUBING

ALUMINUM CABLE CONNECTOR FOR UP TO  $\varnothing 5/8$  CABLE

ASSEMBLY VIEW FOR REFERENCE SHIPS PARTIALLY ASSEMBLED

**STAINLESS STEEL THRU ROOF  
ALUMINUM TO COPPER**

EST WT 1.6#

**APPROVED**

AS DRAWN: \_\_\_\_\_  
 AS NOTED: \_\_\_\_\_  
 DATE: \_\_\_\_\_

THIS DOCUMENT AND THE CONTENTS THEREOF IS THE PROPERTY OF HARGER INC., AND IS FURNISHED TO YOU FOR INFORMATION ONLY. THE INFORMATION CONTAINED HEREIN IS CONFIDENTIAL AND OF A PROPRIETARY NATURE AND MUST NOT BE DISCLOSED TO THIRD PARTIES WITHOUT THE EXPRESS WRITTEN APPROVAL OF HARGER INC.

|                          |          |                      |    |
|--------------------------|----------|----------------------|----|
| LET                      | REVISION | DATE                 | BY |
|                          |          |                      |    |
| TOLERANCES UNLESS NOTED: |          | 3RD ANGLE PROJECTION |    |
| FRACTIONAL +/- 1/16      |          |                      |    |
| DECIMAL +/- .030         |          |                      |    |
| BREAK SHARP EDGES        |          |                      |    |

**PART NO. SSTRACBMCUBU12  
THRU ROOF**

DRAWN BY:  
**LAL**  
CHECKED BY:  
DATE:  
040214



301 ZIEGLER DRIVE  
GRAYSLAKE, IL 60030  
(847) 548-8700

REVISION:  
—  
SCALE:  
7/16  
SHEET:  
1 OF 1