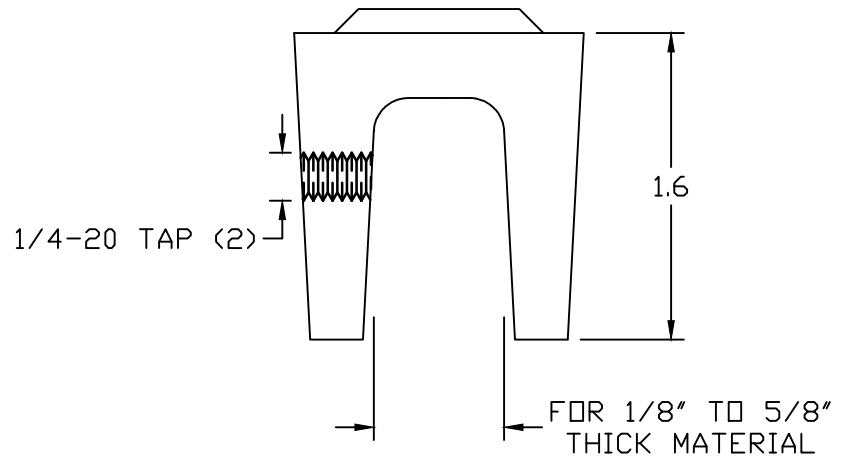
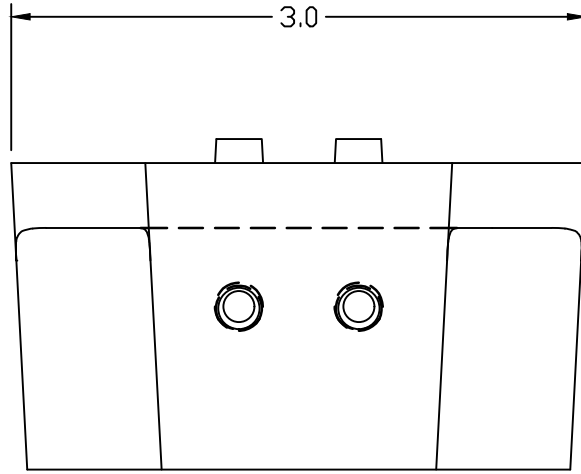


#6 AWG COMPRESSION LUG

1/4 S.S. HARDWARE.



COPPER TOWER BONDING CLAMP

EST WT 0.92#

APPROVED

THIS DOCUMENT AND THE CONTENTS THEREOF IS THE PROPERTY OF HARGER INC., AND IS FURNISHED TO YOU FOR INFORMATION ONLY. THE INFORMATION CONTAINED HEREIN IS CONFIDENTIAL AND OF A PROPRIETARY NATURE AND MUST NOT BE DISCLOSED TO THIRD PARTIES WITHOUT THE EXPRESS WRITTEN APPROVAL OF HARGER INC.

AS DRAWN: _____
 AS NOTED: _____
 DATE: _____

LET	REVISION	DATE	BY
TOLERANCES UNLESS NOTED:		3RD ANGLE PROJECTION	
FRACTIONAL +/- 1/16			
DECIMAL +/- .030			
REMOVE ALL BURRS/FLASH			

PART NO. TBC62
 BONDING CLAMP

DRAWN BY:
 PJR
 CHECKED BY:
 DATE:
 031324



301 ZIEGLER DRIVE
 GRAYSLAKE, IL 60030
 (847) 548-8700

REVISION:
 .
 SCALE:
 FULL
 SHEET:
 1 OF 1