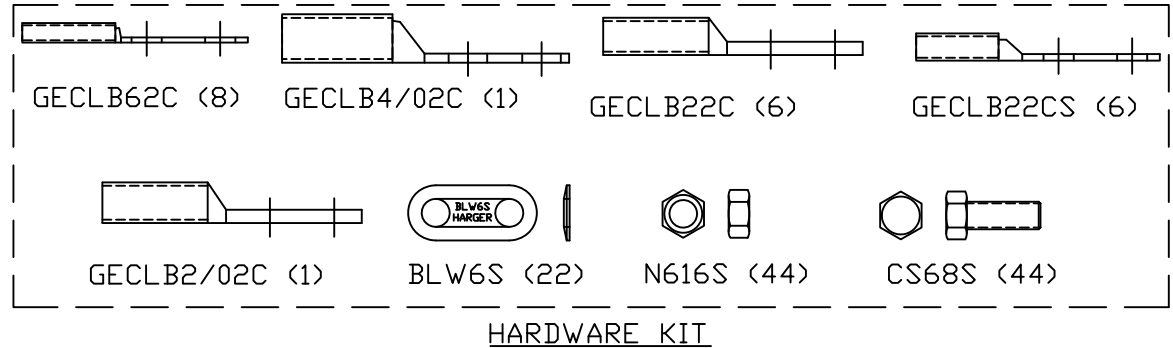
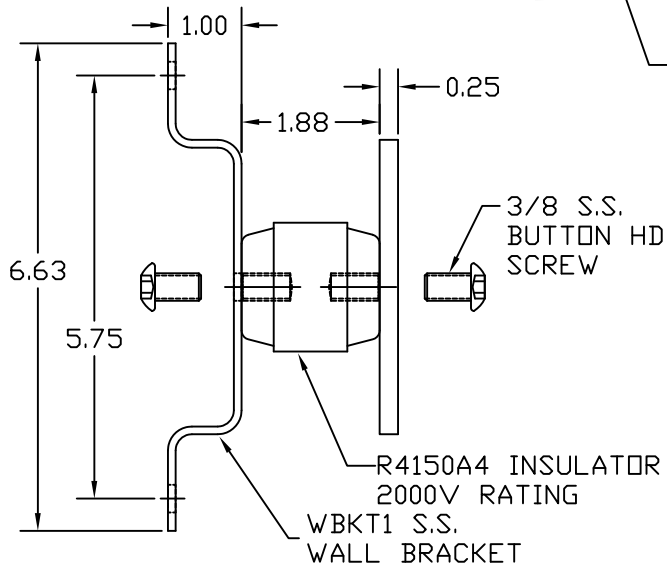
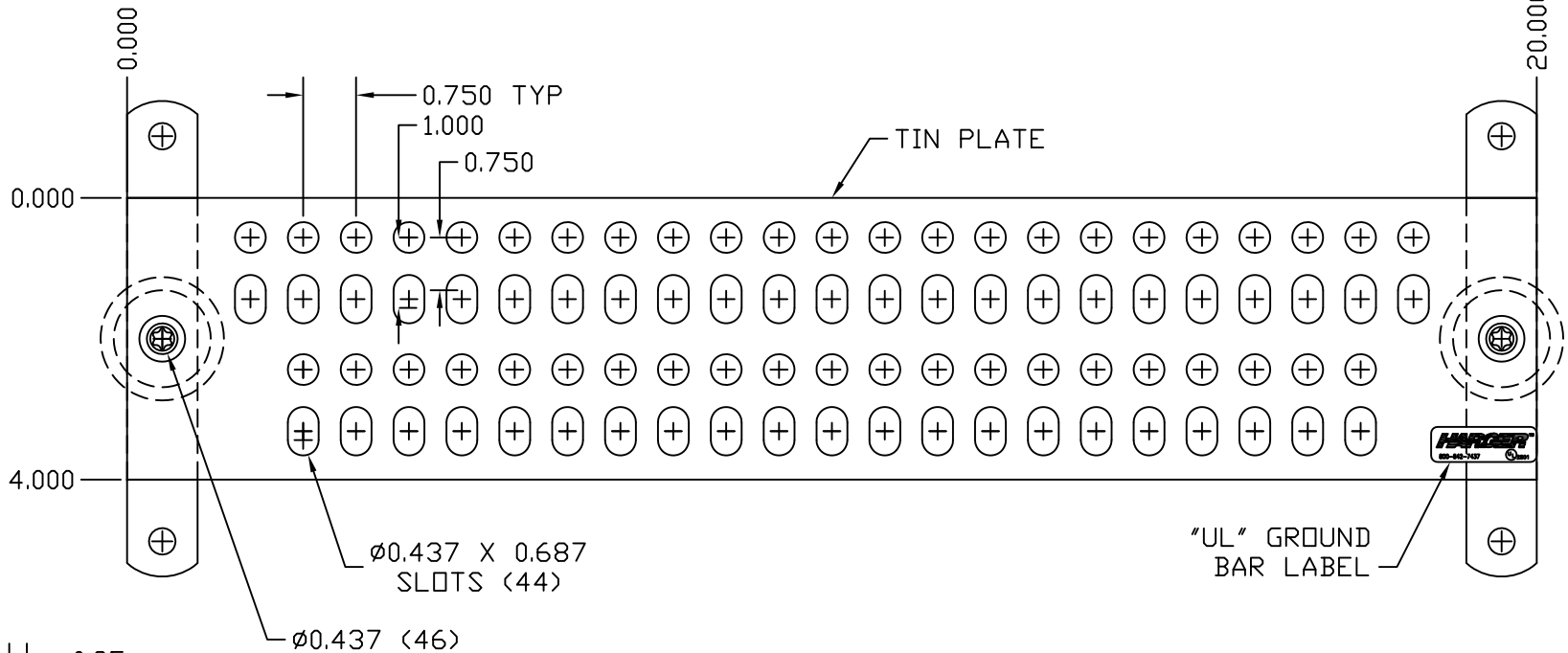


HCAJC1/2 (1)



COPPER GROUND BAR ASSEMBLY

EST WT 10.8#

APPROVED

AS DRAWN: _____
 AS NOTED: _____
 DATE: _____

THIS DOCUMENT AND THE CONTENTS THEREOF IS THE PROPERTY OF HARGER INC., AND IS FURNISHED TO YOU FOR INFORMATION ONLY. THE INFORMATION CONTAINED HEREIN IS CONFIDENTIAL AND OF A PROPRIETARY NATURE AND MUST NOT BE DISCLOSED TO THIRD PARTIES WITHOUT THE EXPRESS WRITTEN APPROVAL OF HARGER INC.

A	REVISED KIT ECO 0136	032917	LAL
LET	REVISION	DATE	BY
TOLERANCES UNLESS NOTED: FRACTIONAL +/- 1/16 DECIMAL +/- .030 BREAK SHARP EDGES		3RD ANGLE PROJECTION	

PART NO. TGBI14420MKT
GROUND BAR ASSEMBLY

DRAWN BY: LAL
 CHECKED BY: _____
 DATE: 102910



301 ZIEGLER DRIVE
 GRAYSLAKE, IL 60030
 (847) 548-8700

REVISION: A
 SCALE: 3/8
 SHEET: 1 OF 1