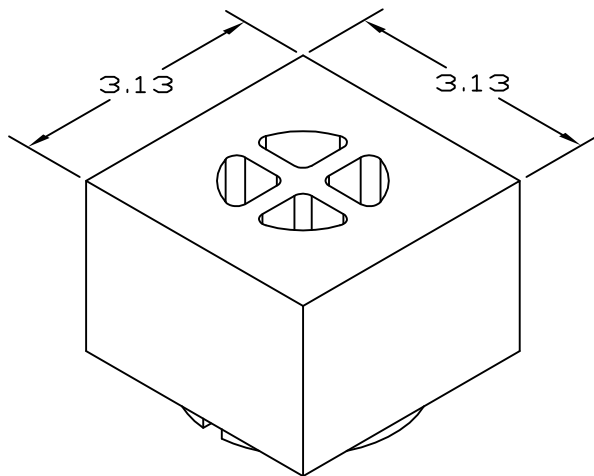
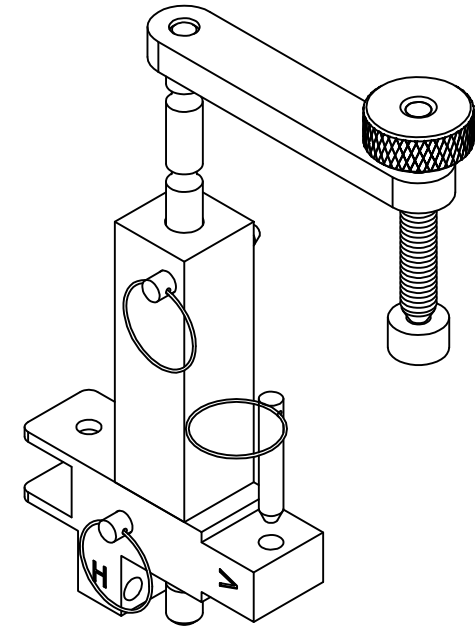


FIBER FILTER X (10) PCS
POLYBAG



FILTER HOUSING FOR
150-300 MOLDS



LOW SMOKE ADAPTER

EST WT 6#

APPROVED

AS DRAWN: _____
 AS NOTED: _____
 DATE: _____

THIS DOCUMENT AND THE CONTENTS THEREOF IS THE PROPERTY OF HARGER INC., AND IS FURNISHED TO YOU FOR INFORMATION ONLY. THE INFORMATION CONTAINED HEREIN IS CONFIDENTIAL AND OF A PROPRIETARY NATURE AND MUST NOT BE DISCLOSED TO THIRD PARTIES WITHOUT THE EXPRESS WRITTEN APPROVAL OF HARGER INC.

LET	REVISION	DATE	BY

TOLERANCES UNLESS NOTED:
 FRACTIONAL +/- 1/16
 .00 +/- .03
 .000 +/- .015

PART NO. USSKIT2
 LOW EMISSION KIT 150-300

DRAWN BY:
LAL
 CHECKED BY:
 DATE:
010714

HARGER™
 301 ZIEGLER DRIVE
 GRAYSLAKE, IL 60030
 (847) 548-8700

REVISION:
-
 SCALE:
1/2
 SHEET:
-